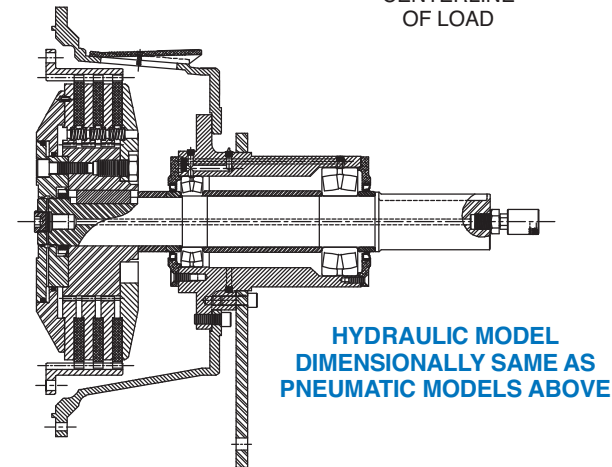
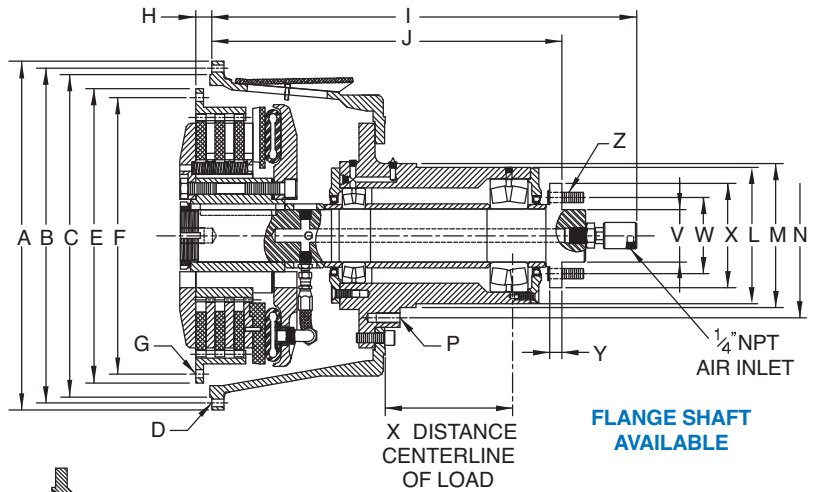
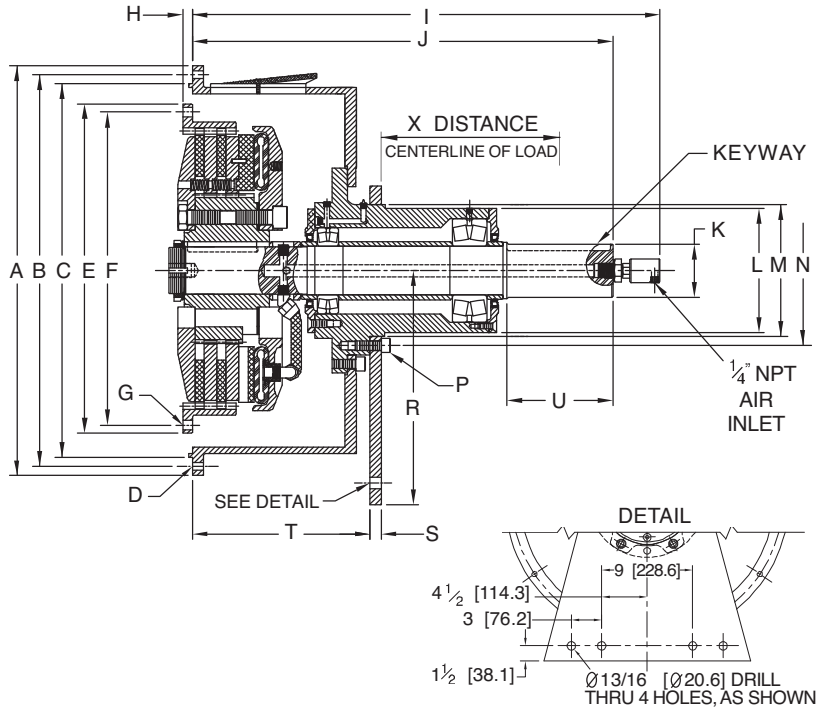


Type 2

- Remote engagement
- Self-adjusting
- Hydraulic actuation available
- Kevlar® reinforced friction disc

Kevlar is a registered trademark of DuPont Inc.



HOUSING DIMENSIONS inches (mm)

SAE HSG #	A OUTSIDE DIA	B BOLT CIRCLE	C +0.00/-0.005 (+0.00/-0.13)	D HOLES	
				QTY	DIA
3	17 3/4 (450.9)	16.88 (428.6)	16.125 (409.58)	12	13/32 (10.3)
2	19 1/4 (489.0)	18.38 (466.7)	17.625 (447.68)	12	13/32 (10.3)
1	21 3/4 (552.5)	20.88 (530.2)	20.125 (511.18)	12	15/32 (11.9)
1/2	25 1/2 (647.7)	24.38 (619.1)	23.000 (584.20)	12	17/32 (13.5)
0	28 (711.2)	26.75 (679.5)	25.500 (647.70)	16	17/32 (13.5)

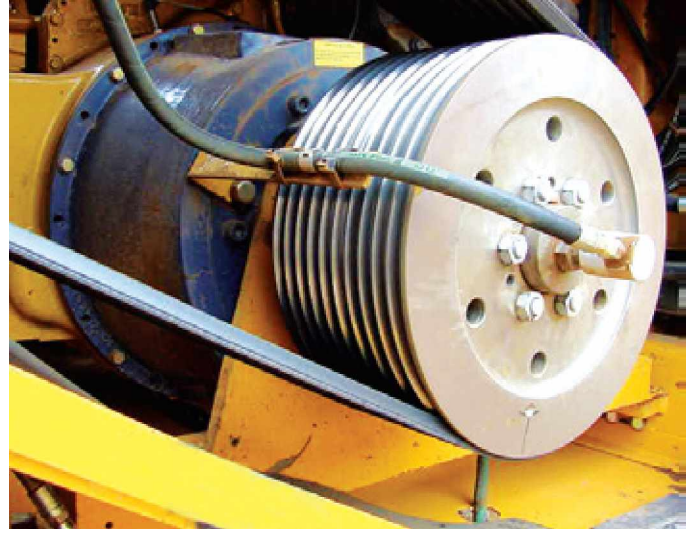
DIMENSIONS inches (mm)

SIZE/ MODEL	SAE HSG #	E +0.00/-0.005 (+0.00/-0.13)	F BOLT CIRCLE	G HOLES		H	I
				QTY	DIA		
211/311	#2,3	13.875 (352.43)	13.13 (333.4)	8	13/32 (10.3)	1 9/16 (39.7)	17 55/64 (453.8)
214/314H	#1,0	18.375 (466.73)	17.25 (438.2)	8	17/32 (13.5)	1 (25.4)	31 9/16 (799.2)
214/314H COMPACT	#1	18.375 (466.73)	17.25 (438.2)	8	17/32 (13.5)	1 (25.4)	20 27/64 (518.6)
214/314H FLG SHAFT	#1	18.375 (466.73)	17.25 (438.2)	8	17/32 (13.5)	1 (25.4)	26 1/2 (673.1)
218/318	#0	22.500 (571.50)	21.38 (542.9)	6	21/32 (16.7)	5/8 (15.9)	31 29/32 (810.4)
218/318 FLG SHAFT	#0	22.500 (571.50)	21.38 (542.9)	6	21/32 (16.7)	5/8 (15.9)	31 29/32 (810.4)

ALLOWABLE SIDE-PULL LOADS lbs (kgs)

SIZE/TYPE	RPM	ALLOWABLE SIDE-PULL LOADS lbs (kgs)			
		2 (50.8)	3 (76.2)	4 (101.6)	
211/311	2500	2760 (1250)	2390 (1080)	2110 (960)	
	2300	2830 (1280)	2450 (1110)	2160 (980)	
	2100	2910 (1320)	2520 (1140)	2220 (1010)	
	1800	3040 (1380)	2630 (1190)	2320 (1050)	
214/314H 218/318	2300	9820 (4460)	9040 (4110)	8380 (3810)	
	2100	10090 (4590)	9290 (4220)	8610 (3910)	
	1800	10560 (4800)	9720 (4420)	9010 (4100)	
214/314H COMPACT	1500	11140 (5060)	10260 (4660)	9510 (4320)	
	2300	7860 (3570)	6910 (3140)	6170 (2800)	
	2100	8070 (3670)	7100 (3230)	6340 (2880)	
	1800	8450 (3840)	7430 (3380)	6640 (3020)	
	1500	8910 (4050)	7840 (3560)	7000 (3180)	

Certified Prints Available on Request



J	K +0.00/-0.01 (+0.00/-0.03)	KEYWAY	L	M +0.00/-0.02 (+0.00/-0.05)	N BOLT CIRCLE	P HOLES		R	S	T	U	V	W	X +0.00/-0.004 (+0.00/-0.10)	Y	Z STUDS	
						QTY	TAP									QTY	THD
16 47/64 (425.2)	2.750 (69.85)	5/8 x 5/16 (15.9 x 7.9)	7 7/16 (188.9)	-	-	-	-	-	-	5 5/8 (142.9)	5 1/16 (128.6)	-	-	-	-	-	-
28 11/32 (719.9)	3.625 (92.08)	7/8 x 7/16 (22.2 x 11.1)	8 1/2 (215.9)	9.000 (228.60)	10.25 (260.4)	6	5/8-11	16 (406.4)	3/4 (19.1)	11 49/64 (298.8)	7 1/4 (184.2)	-	-	-	-	-	-
19 19/64 (490.0)	3.543 (90.00)	25mm x 5.4mm	9 (228.6)	9.646 (245.00)	10.83 (275.0)	6	M14	-	-	11 49/64 (298.8)	5 33/64 (140.0)	-	-	-	-	-	-
21 27/32 (554.8)	-	-	8 1/2 (215.9)	9.000 (228.60)	10.25 (260.4)	6	5/8-11	-	-	11 49/64 (298.8)	-	3 1/4 (82.6)	4.75 (120.7)	6.514 (165.46)	3/4 (19.1)	6	5/8-18
28 11/16 (728.7)	3.625 (92.08)	7/8 x 7/16 (22.2 x 11.1)	8 1/2 (215.9)	9.000 (228.60)	10.25 (260.4)	6	5/8-11	16 (406.4)	3/4 (19.1)	12 9/64 (308.4)	7 1/4 (184.2)	-	-	-	-	-	-
28 11/16 (728.7)	-	-	8 1/2 (215.9)	9.000 (228.60)	10.25 (260.4)	6	5/8-11	-	-	12 9/64 (308.4)	-	3 1/4 (82.6)	4.75 (120.7)	6.514 (165.46)	3/4 (19.1)	6	5/8-18

For PTO Selection Guide, see page 6

X DISTANCE inche (mm)												
5 (127.0)	6 (152.4)	7 (177.8)	8 (203.2)	9 (228.6)	10 (254.0)	11 (279.4)	12 (304.8)	13 (330.2)	14 (355.6)	15 (381.0)	16 (406.4)	
1880 (850)	1700 (770)	1550 (700)	1430 (650)	1280 (580)	1160 (530)							
1930 (880)	1750 (790)	1590 (720)	1460 (660)	1310 (600)	1200 (550)							
1980 (900)	1790 (810)	1640 (740)	1500 (680)	1360 (620)	1230 (560)							
2080 (940)	1880 (850)	1710 (780)	1570 (710)	1460 (660)	1300 (590)							
710 (3550)	7310 (3320)	6870 (3120)	6480 (2950)	6140 (2790)	5820 (2650)	5540 (2520)	5290 (2400)	5050 (2300)	4840 (2200)	4640 (2110)	4460 (2030)	
8020 (3650)	7510 (3410)	7060 (3210)	6660 (3030)	6300 (2860)	5980 (2720)	5690 (2590)	5430 (2470)	5190 (2360)	4970 (2170)	4770 (2260)	4580 (2080)	
8400 (3820)	7860 (3570)	7390 (3360)	6970 (3170)	6600 (3000)	6260 (2850)	5960 (2710)	5680 (2580)	5430 (2470)	5200 (2360)	4990 (2270)	4800 (2180)	
8860 (4030)	8300 (3770)	7800 (3550)	7360 (3350)	6960 (3160)	6610 (3000)	6290 (2860)	6000 (2730)	5740 (2610)	5490 (2500)	5270 (2400)	5070 (2300)	
5580 (2540)	4760 (2160)	4060 (1850)	3540 (1610)	3140 (1430)	2820 (1280)							
5730 (2800)	4900 (2230)	4180 (1900)	3640 (1650)	3230 (1470)	2900 (1320)							
5990 (2720)	5150 (2340)	4390 (2000)	3830 (1740)	3390 (1540)	3050 (1390)							
6330 (2880)	5460 (2480)	4660 (2120)	4060 (1850)	3600 (1640)	3230 (1470)							