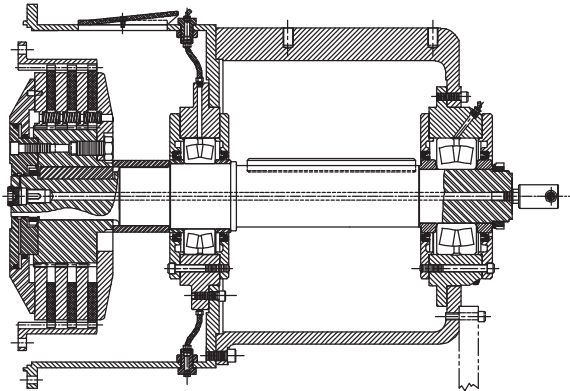
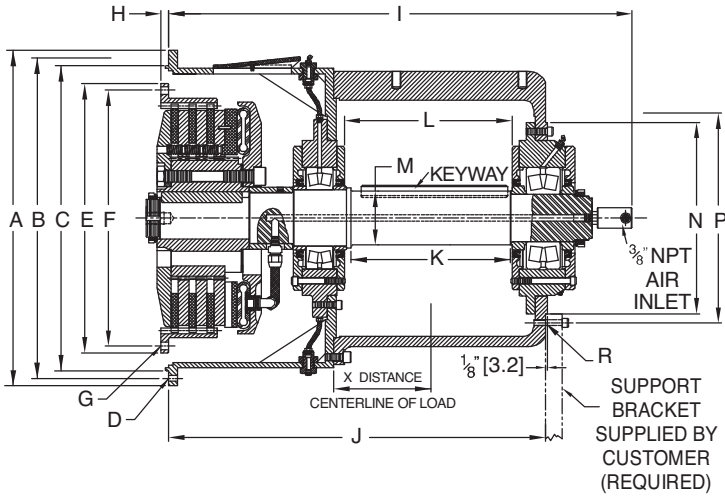


Type 1



HYDRAULIC MODEL DIMENSIONALLY SAME AS PNEUMATIC MODEL ABOVE

- Remote engagement
- Self-adjusting
- Hydraulic actuation available
- Kevlar® reinforced friction disc
- Belt change without removing rear bearing

Kevlar is a registered trademark of DuPont Inc.

HOUSING DIMENSIONS inches (mm)

SAE HSG #	A OUTSIDE DIA	B BOLT CIRCLE	C +0.00/-0.05 (+0.0/-1.3)	D HOLES	
				QTY	DIA
1	21 3/4 (552.5)	20.88 (530.2)	20.125 (511.18)	12	15/32 (11.9)
0	28 (711.2)	26.75 (679.5)	25.500 (647.70)	16	17/32 (13.5)
00	34 3/4 (882.7)	33.50 (850.9)	31.000 (787.40)	16	17/32 (13.5)

DIMENSIONS inches (mm)

SIZE/ MODEL	SAE HSG #	E +0.00/-0.05 (+0.0/-1.3)	F BOLT CIRCLE	G HOLES		H
				QTY	DIA	
314H	1,0	18.375 (466.73)	17.25 (438.2)	8	17/32 (13.5)	1 (25.4)
314H/EXT VERSION	1,0	18.375 (466.73)	17.25 (438.2)	8	17/32 (13.5)	1 (25.4)
318	0	22.500 (571.50)	21.38 (542.9)	6	21/32 (16.7)	5/8 (15.9)
318/EXT VERSION	0	22.500 (571.50)	21.38 (542.9)	6	21/32 (16.7)	5/8 (15.9)
318	00	22.500 (571.50)	21.38 (542.9)	6	21/32 (16.7)	5/8 (15.9)
321	00	26.500 (673.10)	25.25 (641.4)	12	21/32 (16.7)	0 (0.0)
321/SHORT VERSION	00	26.500 (673.10)	25.25 (641.4)	12	21/32 (16.7)	0 (0.0)
321/EXT VERSION	00	26.500 (673.10)	25.25 (641.4)	12	21/32 (16.7)	0 (0.0)

^a Maximum 8V groove at a 15 (381.0) min outside diameter [12 1/4 (311.2) in inside diameter] groove.

^b Maximum 8V groove at a 19 (482.6) min outside diameter [16 1/4 (412.8) in inside diameter] groove.

ALLOWABLE SIDE-PULL LOAD lbs (kgs)

SIZE/TYPE	RPM	ALLOWABLE SIDE-PULL LOAD		
		6 (152.4)	7 (177.8)	8 (203.2)
314H	2300	21,730 (9860)	23,800 (10800)	26,310 (11930)
	2100	22,350 (10140)	24,480 (11100)	27,050 (12270)
	1800	23,430 (10630)	25,660 (11640)	28,370 (12870)
	1500	24,780 (11240)	27,140 (12310)	30,000 (13610)
314H/EXT VERSION	2300		20,050 (9090)	21,340 (9680)
	2100		20,620 (9350)	21,950 (9960)
	1800		21,620 (9810)	23,010 (10440)
	1500		22,860 (10370)	24,330 (11040)
318	2100	21,910 (9940)	24,010 (10890)	26,550 (12040)
	1800	23,000 (10430)	25,200 (11430)	27,870 (12640)
	1500	24,350 (11050)	26,680 (12100)	29,510 (13390)
	1200	26,110 (11840)	28,610 (12980)	31,640 (14350)
318/EXT VERSION	2100		20,220 (9170)	21,520 (9760)
	1800		21,220 (9630)	22,590 (10250)
	1500		22,460 (10190)	23,910 (10850)
	1200		24,070 (10920)	25,630 (11630)
321	1800		21,210 (9620)	22,570 (10240)
	1500		22,470 (10190)	23,910 (10850)
	1200		24,110 (10940)	25,650 (11630)
321/SHORT VERSION	1800	25,510 (11570)	28,750 (13040)	31,610 (14340)
	1500	27,040 (12270)	30,480 (13830)	33,350 (15130)
	1200	29,030 (13170)	32,720 (14840)	35,610 (16150)
321/EXT VERSION	1800			
	1500			
	1200			

Certified Prints Available on Request



I	J	K	L	M +.000/- .001 (+.00/- .03)	KEYWAY	N +.000/- .005 (+.00/- .13)	P BOLT CIRCLE	R HOLES		SHEAVE (CUSTOMER SUPPLIED)		
								QTY	TAP	MAX DIA	MAX WIDTH	GROOVES
38 23/32 (983.5)	31 1/2 (800.1)	13 5/16 (338.1)	14 (355.6)	4.500 (114.30)	1 x 1/2 (25.4 x 12.7)	16.000 (406.40)	17.50 (444.5)	12	1/2-13	18 (457.2)	15 11/32 (389.7)	12 ^a
44 23/32 (1135.9)	37 1/2 (952.5)	19 5/16 (490.5)	20 (508.0)	4.500 (114.30)	1 x 1/2 (25.4 x 12.7)	16.000 (406.40)	17.50 (444.5)	12	1/2-13	18 (457.2)	21 3/8 (542.9)	18 ^a
38 23/32 (983.5)	31 1/2 (800.1)	13 5/16 (338.1)	14 (355.6)	4.500 (114.30)	1 x 1/2 (25.4 x 12.7)	16.000 (406.40)	17.50 (444.5)	12	1/2-13	18 (457.2)	15 11/32 (389.7)	12 ^a
44 23/32 (1135.9)	37 1/2 (952.5)	19 5/16 (490.5)	20 (508.0)	4.500 (114.30)	1 x 1/2 (25.4 x 12.7)	16.000 (406.40)	17.50 (444.5)	12	1/2-13	18 (457.2)	21 3/8 (542.9)	18 ^a
40 21/64 (1024.3)	33 5/32 (842.2)	13 5/16 (338.1)	14 (355.6)	4.500 (114.30)	1 x 1/2 (25.4 x 12.7)	16.000 (406.40)	17.50 (444.5)	12	1/2-13	18 (457.2)	15 11/32 (389.7)	12 ^a
44 5/8 (1133.5)	39 25/32 (1010.4)	19 15/16 (506.4)	20 5/8 (523.9)	4.750 (120.65)	1 1/4 x 5/8 (31.8 x 15.9)	18.000 (457.20)	19.75 (501.7)	12	5/8-11	23 (584.2)	22 27/32 (580.2)	18 ^a
36 3/32 (916.8)	30 25/32 (781.8)	10 15/16 (277.8)	11 5/8 (295.3)	4.750 (120.65)	1 1/4 x 5/8 (31.8 x 15.9)	18.000 (457.20)	19.75 (501.7)	12	5/8-11	23 (584.2)	13 13/16 (350.8)	10
47 5/8 (1209.7)	42 25/32 (1086.6)	22 15/16 (582.6)	23 5/8 (600.1)	4.750 (120.65)	1 1/4 x 5/8 (31.8 x 15.9)	18.000 (457.20)	19.75 (501.7)	12	5/8-11	23 (584.2)	25 27/32 (656.4)	22 ^b

For PTO Selection Guide, see page 6

X DISTANCE inche (mm)

	9 (228.6)	10 (254.0)	11 (279.4)	12 (304.8)	13 (330.2)	14 (355.6)	15 (381.0)	16 (406.4)
29,400 (13340)		28,070 (12730)	25,770 (11690)	23,820 (10800)				
30,240 (13720)		28,850 (13090)	26,480 (12010)	24,470 (11100)				
31,710 (14380)		30,200 (13700)	27,720 (12570)	25,620 (11620)				
33,530 (15210)		31,890 (14470)	29,270 (13280)	27,050 (12270)				
22,810 (10350)	24,510 (11120)	26,470 (12010)	28,770 (13050)	29,200 (13250)	27,280 (12370)	25,590 (11610)	24,100 (10930)	
23,460 (10640)	25,200 (11430)	27,220 (12350)	29,580 (13420)	30,000 (13610)	28,030 (12710)	26,290 (11930)	24,770 (11240)	
24,600 (11160)	26,420 (11980)	28,540 (12950)	31,020 (14070)	31,410 (14250)	29,350 (13310)	27,530 (12490)	25,930 (11760)	
26,010 (11800)	27,940 (12670)	30,180 (13690)	32,800 (14880)	33,170 (15050)	30,990 (14060)	29,070 (13190)	27,380 (12420)	
29,700 (13470)	28,940 (13130)	26,560 (12050)	24,550 (11140)					
31,170 (14140)	30,290 (13740)	27,800 (12610)	25,690 (11650)					
33,000 (14970)	31,970 (14500)	29,350 (13310)	27,120 (12300)					
35,380 (16050)	34,160 (15490)	31,360 (14220)	28,980 (13150)					
23,010 (10440)	24,710 (11210)	26,690 (12110)	29,010 (13160)	30,150 (13680)	28,160 (12770)	26,420 (11980)	24,880 (11290)	
24,140 (10950)	25,930 (11760)	28,000 (12700)	30,440 (13810)	31,560 (14320)	29,480 (13370)	27,660 (12550)	26,050 (11820)	
25,560 (11590)	27,450 (12450)	29,640 (13440)	32,220 (14610)	33,320 (15110)	31,120 (14120)	29,200 (13250)	27,500 (12470)	
27,390 (12420)	29,420 (13340)	31,780 (14420)	34,540 (15670)	35,610 (16150)	33,260 (15090)	31,210 (14160)	29,390 (13330)	
24,110 (10940)	25,880 (11740)	27,930 (12670)	30,330 (13760)	31,440 (14260)	29,430 (13350)	27,670 (12550)		
25,540 (11580)	27,410 (12430)	29,590 (13420)	32,130 (14570)	33,180 (15050)	31,060 (14090)	29,190 (13240)		
27,400 (12430)	29,420 (13340)	31,740 (14400)	34,470 (15640)	35,450 (16080)	33,180 (15050)	31,190 (14150)		
28,580 (12960)	26,090 (11830)							
30,160 (13680)	27,530 (12490)							
32,210 (14610)	29,400 (13340)							
	29,210 (13250)	31,070 (14090)	31,070 (14,090)	28,940 (13130)	27,090 (12290)	25,460 (11550)	24,010 (10890)	
	30,920 (14030)	32,900 (14920)	32,790 (14,870)	30,550 (13860)	28,590 (12970)	26,870 (12190)	25,350 (11500)	
	33,150 (15040)	35,280 (16000)	35,030 (15,890)	32,630 (14800)	30,540 (13850)	28,710 (13020)	27,080 (12280)	