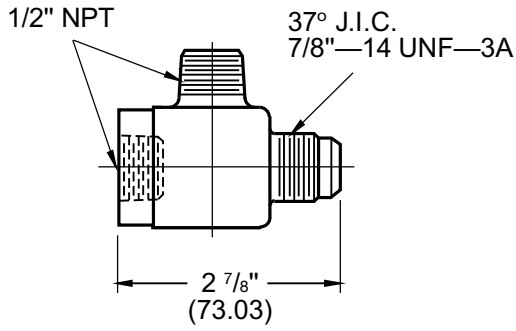
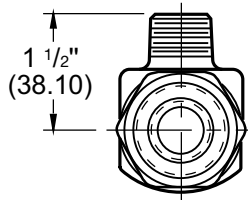


ACCESSORIES

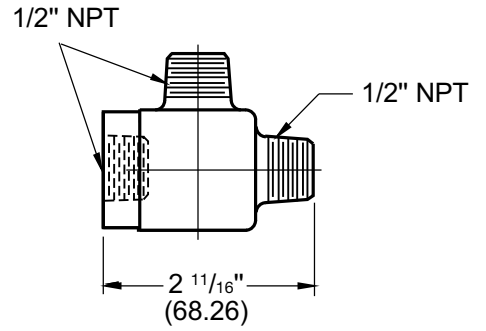
Quick Release Valve (Spring Loaded)



W00-10-900



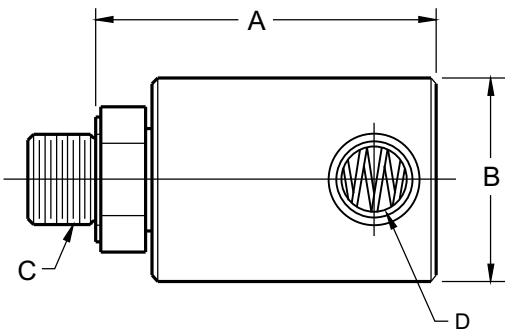
QRV



W00-10-901

(For application not requiring QRV, elbow are available.)

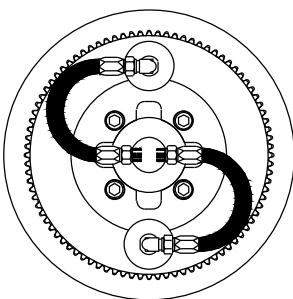
Rotating Air Union Dimension



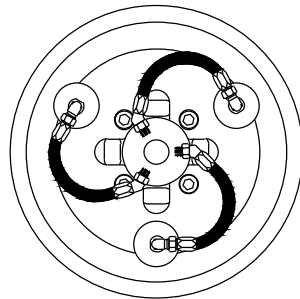
CLUTCH SIZE	Air Union Part Number	A inches (mm)	B inches (mm)	C Rotor Thread	D Inlet Thread
108 thru 318H	W00-21-006	2 5/8 (66.68)	1 5/8 (41.28)	5/8"-18 UNF	1/4" NPT
	W00-21-001	3 5/16 (84.14)	1 23/32 (43.66)	5/8"-18 UNF	3/8" NPT
121 thru 336	W00-21-002	3 23/32 (94.46)	2 1/4 (57.15)	1"-14 UNS	1/2" NPT/BSPT
	W00-21-008	4 5/16 (109.54)	2 7/8 (73.03)	1"-14 UNS	3/4" NPT
342 thru 460	W00-21-011	5 1/8 (130.18)	3 1/4 (82.55)	1 1/2"-12UNF	1" NPT

Larger capacity rotating air union for farther re-pon e time available.

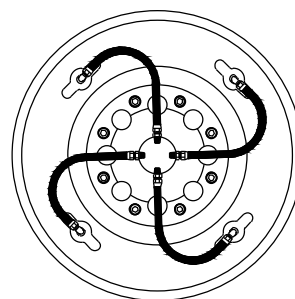
Typical Hose Arrangement for Power Grip Clutches



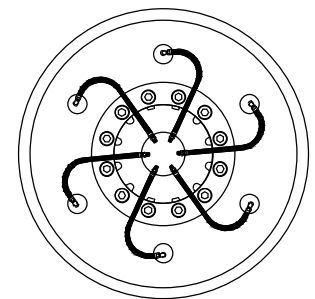
8" - 16"
(1 or 2 Ho e)



18" - 27"
(1 or 3 Ho e)



30" - 48"
(4 Ho e)



60"
(6 Ho e)