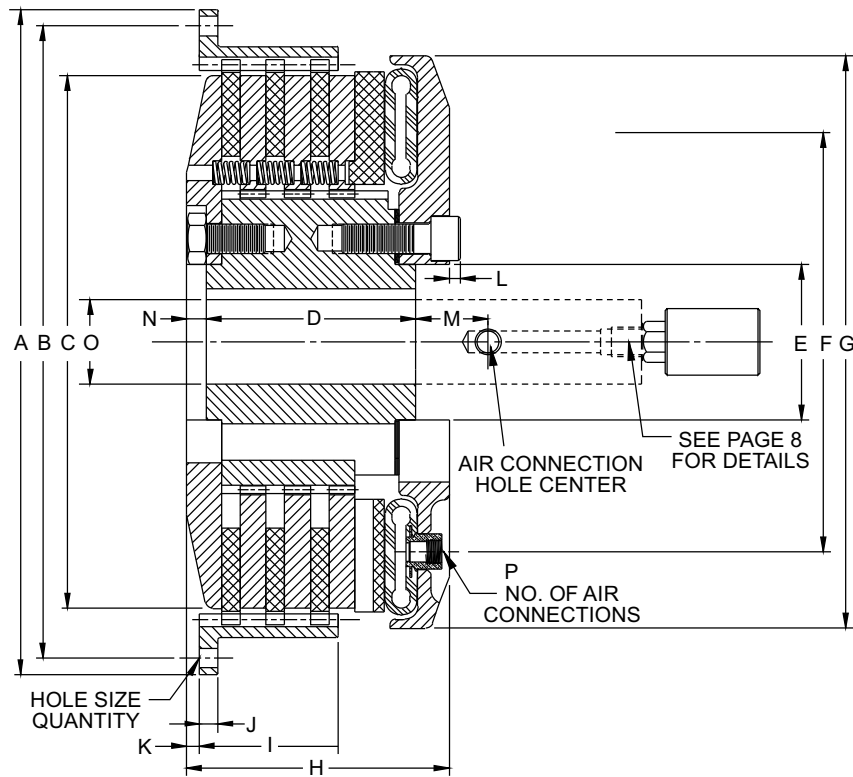


Power Grip High Speed Clutche

Power Grip High Speed Clutche are designed to withstand every application mounted to internal combustion engine. The drive ring will fit standard SAE industrial flywheel. Heavy duty laminated gear teeth friction discs are designed to withstand heavy shock load and torsional vibration. Clutche are balanced to the maximum speed shown below. Do not exceed the capacities in the chart below for internal combustion engine.

Clutch Size	Max hp (Kw) per 100 rpm	Max hp (Kw) @ max rpm	Max Speed rpm
214H	22 (16)	500 (370)	2,500
314H	33 (25)	750 (560)	2,500
218	38 (28)	800 (600)	2,300
318	60 (45)	1,250 (930)	2,300
321	117 (87)	2,100 (1565)	1,950

For starting high inertia load requiring more than a 2-3 second start, consult WPT Engineering for selection assistance.



DIMENSIONS inche (mm)

SIZE	A	B	HOLE SIZE	QTY	C	D	E	F	G	H	I	J	K
	+0.000/-0.005 (+0.000/-0.127)												
214H	18.375 (466.73)	17 1/4 (438.15)	17/32 (13.49)	8	14 (355.60)	5 3/4 (146.05)	4 1/2 (114.30)	12 1/2 (317.50)	16 5/16 (414.34)	6 1/2 (165.10)	2 3/8 (60.33)	1/2 (12.70)	3/4 (19.05)
314H	18.375 (466.73)	17 1/4 (438.15)	17/32 (13.49)	8	14 (355.60)	7 3/16 (182.56)	4 1/2 (114.30)	12 1/2 (317.50)	16 5/16 (414.34)	8 (203.20)	4 (101.60)	1/2 (12.70)	3/4 (19.05)
218	22.500 (571.50)	21 3/8 (542.93)	21/32 (16.67)	6	18 (457.20)	5 13/16 (147.64)	5 1/4 (133.35)	14 3/16 (360.36)	20 (508.00)	7 1/8 (180.98)	3 5/8 (92.08)	5/8 (15.88)	3/8 (9.53)
318	22.500 (571.50)	21 3/8 (542.93)	21/32 (16.67)	6	18 (457.20)	7 3/4 (196.85)	5 1/4 (133.35)	14 3/16 (360.36)	20 (508.00)	8 7/8 (225.43)	4 11/16 (119.06)	5/8 (15.88)	3/8 (9.53)
321	26.500 (673.10)	22 1/4 (571.50)	21/32 (16.67)	12	21 (533.40)	8 5/8 (219.08)	7 (177.80)	16 (406.40)	21 5/16 (541.34)	10 1/8 (257.18)	5 (127.00)	5/8 (15.88)	3/4 (19.05)



SIZE	L	M	N	O MIN	O MAX	P QTY
214H	-	2 1/4 (57.15)	-	2.13 (54.0)	3.25 (82.6)	2
314H	-	2 1/4 (57.15)	-	2.13 (54.0)	3.25 (82.6)	2
218	3/8 (9.53)	2 7/16 (61.91)	7/16 (11.11)	2.38 (60.3)	3.88 (98.4)	3
318	3/8 (9.53)	2 7/16 (61.91)	-	2.38 (60.3)	3.88 (98.4)	3
321	1 (25.40)	2 3/8 (60.33)	1/2 (12.70)	2.75 (69.9)	4.75 (120.7)	3

Driving ring mount to standard SAE industrial flywheel.

Larger bore size may be accommodated. Consult with WPT Engineering.