

Power Grip Clutche

The Power Grip Clutch is designed to accommodate in-line mounting for heavy duty power transmission. Used in conjunction with either a quick change or standard driving adapter, shown on page 3, the Power Grip Clutch is useful as a coupling clutch for shaft to shaft application.

Split friction discs and airtube are available to assist with maintenance. Air actuation with the airtube design allow for smooth control and remote actuation via a simple air valve.



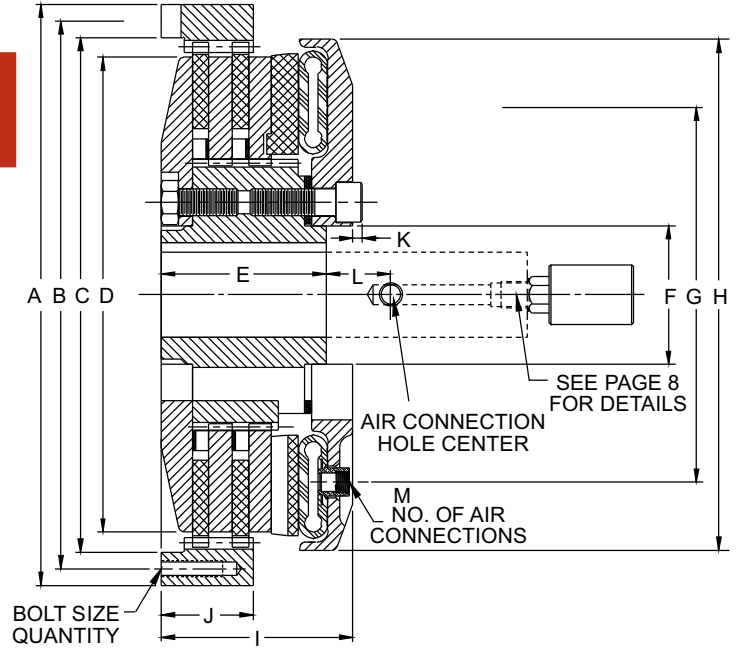
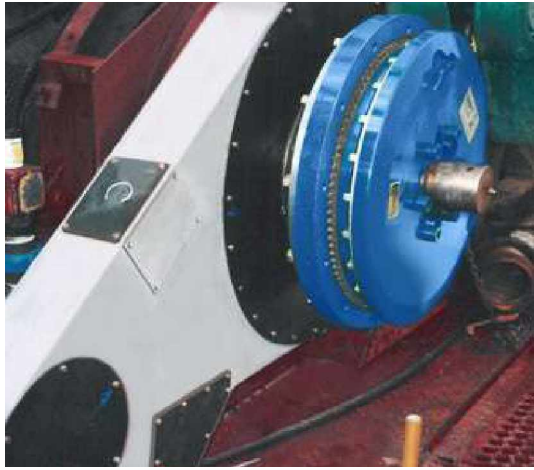
SPECIFICATIONS

Model	Torque Rating @ 100 psi (lb-in) / 7 bar (Nm)				Maximum Speed rpm	Weight and Inertia				Bore Range	
	Static Torque		Dynamic Torque			Total Weight	Total Inertia	Ring & FD Weight	Ring & FD Inertia	Minimum	Maximum
	lb-in	Nm	lb-in	Nm		lb (kg)	lbft ² (wr ²) (kgm ² (J))	lb (kg)	lbft ² (wr ²) (kgm ² (J))	inche (mm)	inche (mm)
108	7,300	835	5,500	630	3,600	30 (14)	2.4 (0.102)	8.3 (3.7)	1.2 (0.048)	0.94 (23.8)	1.94 (49.2)
208	14,600	1,670	11,000	1,260	3,600	20 (23)	4.3 (0.179)	17 (7.5)	2.3 (0.098)	0.94 (23.8)	1.94 (49.2)
308	21,900	2,505	16,500	1,890	3,600	67 (30)	6.0 (0.254)	25 (11)	3.5 (0.149)	1.13 (28.6)	1.94 (49.2)
111	16,600	1,905	12,450	1,425	2,650	55 (25)	9.2 (0.388)	19 (9)	5.4 (0.227)	1.25 (31.8)	3.0 (76.2)
211	33,200	3,810	24,900	2,850	2,650	96 (44)	16.4 (0.690)	37 (17)	10.4 (0.438)	1.25 (31.8)	3.0 (76.2)
311	49,800	5,715	37,350	4,275	2,650	132 (60)	22.9 (0.965)	52 (24)	15.3 (0.645)	1.25 (31.8)	3.0 (76.2)
114	29,150	3,345	21,900	2,510	2,180	124 (56)	35.2 (1.49)	38 (17)	17.1 (0.721)	2.13 (54.0)	3.25 (82.6)
214	58,300	6,690	43,800	5,020	2,180	176 (80)	47.9 (2.02)	57 (26)	24.6 (1.04)	2.13 (54.0)	3.25 (82.6)
314	87,450	10,035	65,700	7,530	2,180	239 (109)	72.0 (3.04)	97 (44)	42.3 (1.79)	2.13 (54.0)	3.25 (82.6)
114H	35,400	4,065	26,600	3,050	2,180	161 (73)	41.2 (1.74)	38 (17)	17.1 (0.721)	2.13 (54.0)	3.25 (82.6)
214H	70,800	8,130	53,200	6,100	2,180	212 (96)	57.1 (2.41)	57 (26)	24.6 (1.04)	2.13 (54.0)	3.25 (82.6)
314H	106,200	12,195	79,800	9,150	2,180	290 (132)	79.6 (3.36)	97 (44)	42.3 (1.79)	2.13 (54.0)	3.25 (82.6)
116	39,750	4,560	29,800	3,420	1,900	218 (99)	60.6 (2.56)	41 (19)	23.1 (0.973)	2.13 (54.0)	3.41 (86.6)
216	79,500	9,120	59,600	6,840	1,900	296 (134)	87.9 (3.71)	79 (36)	41.8 (1.76)	2.13 (54.0)	3.41 (86.6)
316	119,250	13,680	89,400	10,260	1,900	380 (172)	117 (4.93)	116 (53)	61.2 (2.58)	2.13 (54.0)	3.41 (86.6)
118	66,400	7,620	49,800	5,715	1,750	277 (125)	90 (3.78)	44 (20)	28.3 (1.19)	2.38 (60.3)	3.88 (98.4)
218	132,800	15,240	99,600	11,430	1,750	397 (180)	142 (6.00)	95 (43)	61.6 (2.60)	2.38 (60.3)	3.88 (98.4)
318	199,200	22,860	149,400	17,145	1,750	501 (227)	189 (7.97)	144 (66)	93.3 (3.94)	2.38 (60.3)	3.88 (98.4)
118H	82,000	9,405	61,500	7,055	1,750	294 (134)	100 (4.22)	44 (20)	28.3 (1.19)	2.38 (60.3)	3.88 (98.4)
218H	164,000	18,810	123,000	14,110	1,750	414 (188)	151 (6.36)	95 (43)	61.6 (2.60)	2.38 (60.3)	3.88 (98.4)
318H	246,000	28,215	184,500	21,165	1,750	525 (238)	199 (8.40)	144 (66)	93.3 (3.94)	2.38 (60.3)	3.88 (98.4)
121	95,400	10,950	71,500	8,205	1,525	390 (177)	179 (7.57)	63 (29)	56.1 (2.37)	2.75 (69.9)	4.75 (120.7)
221	190,800	21,900	143,000	16,410	1,525	566 (257)	283 (12.0)	138 (63)	124 (5.22)	2.75 (69.9)	4.75 (120.7)
321	286,200	32,850	214,500	24,615	1,525	738 (335)	381 (16.1)	210 (95)	186 (7.83)	2.75 (69.9)	4.75 (120.7)
124H	160,600	18,435	120,500	13,830	1,350	593 (269)	373 (15.7)	115 (52)	132 (5.55)	2.75 (69.9)	4.75 (120.7)
224H	321,200	36,870	241,000	27,660	1,350	800 (363)	510 (21.5)	190 (86)	207 (8.75)	2.75 (69.9)	4.75 (120.7)
324H	481,800	55,305	361,500	41,490	1,350	993 (450)	622 (26.2)	250 (113)	259 (10.9)	2.75 (69.9)	4.75 (120.7)
124SHD	206,950	23,745	155,200	17,810	1,350	613 (278)	380 (16.1)	115 (52)	132 (5.55)	2.75 (69.9)	4.75 (120.7)
224SHD	413,900	47,490	310,400	35,620	1,350	820 (372)	517 (21.8)	190 (86)	207 (8.75)	2.75 (69.9)	4.75 (120.7)
324SHD	620,850	71,235	465,600	53,430	1,350	1013 (460)	629 (26.6)	250 (113)	259 (10.9)	2.75 (69.9)	4.75 (120.7)
227	361,100	41,450	270,800	31,080	1,200	926 (420)	696 (29.4)	190 (86)	250 (10.6)	3.50 (88.9)	7.00 (177.8)
327	541,650	62,175	406,200	46,620	1,200	1,243 (564)	949 (40.1)	302 (137)	399 (16.8)	3.50 (88.9)	7.00 (177.8)
230H	690,800	79,260	518,000	59,450	1,100	1,470 (667)	1,315 (55.5)	292 (132)	444 (18.7)	3.88 (98.5)	7.00 (177.8)
330H	1,036,200	118,890	777,000	89,175	1,100	1,868 (847)	1,704 (71.9)	427 (194)	647 (27.3)	3.88 (98.5)	7.00 (177.8)
236	1,063,250	122,000	797,400	91,500	900	2,145 (973)	2,955 (125)	426 (193)	956 (40.4)	5.00 (127.0)	9.0 (228.6)
336	1,594,875	183,000	1,196,100	137,250	900	2,907 (1,318)	3,319 (140)	644 (292)	980 (41.4)	5.00 (127.0)	9.0 (228.6)
242	1,518,200	174,200	1,138,600	130,650	750	3,135 (1,422)	5,466 (231)	676 (307)	2,235 (94.3)	7.00 (177.8)	11.0 (279.4)
342	2,277,300	261,300	1,707,900	195,975	750	4,062 (1,843)	7,478 (316)	1,053 (478)	3,489 (147)	7.00 (177.8)	11.0 (279.4)
248	2,832,000	325,000	2,124,400	243,800	650	4,688 (2,127)	10,743 (453)	799 (362)	3,386 (143)	8.00 (203.2)	12.0 (304.8)
348	4,248,000	487,500	3,186,600	365,700	650	5,801 (2,631)	13,501 (570)	1,138 (516)	4,786 (202)	8.00 (203.2)	12.0 (304.8)
260	5,670,000	650,900	4,252,500	488,100	525	7,450 (3,379)	22,752 (960)	1,470 (667)	8,546 (361)	11.00 (279.4)	15.0 (381.0)
360	8,505,000	976,350	6,378,750	732,150	525	9,431 (4,278)	30,978 (1,307)	2,242 (1,017)	13,028 (550)	11.00 (279.4)	15.0 (381.0)
460	11,340,000	1,301,800	8,505,000	976,200	525	11,656 (5,287)	39,545 (1,669)	3,060 (1,388)	17,868 (754)	11.00 (279.4)	15.0 (381.0)

Contact WPT Engineering for application assistance and applicable safety/service factor.

Larger bore sizes may be accommodated, contact WPT Engineering.

Power Grip Clutche

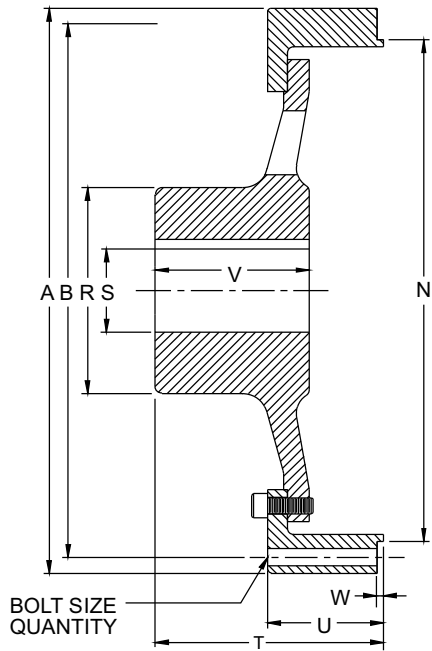


DIMENSIONS inche (mm)

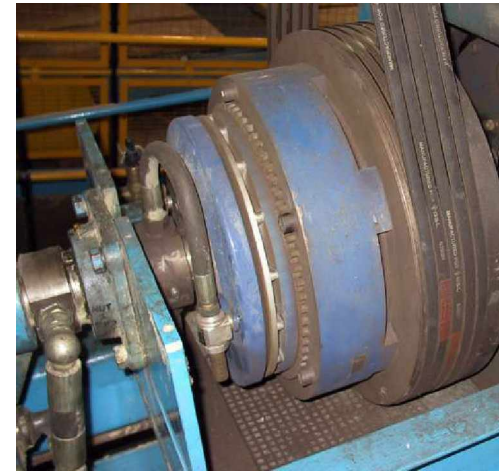
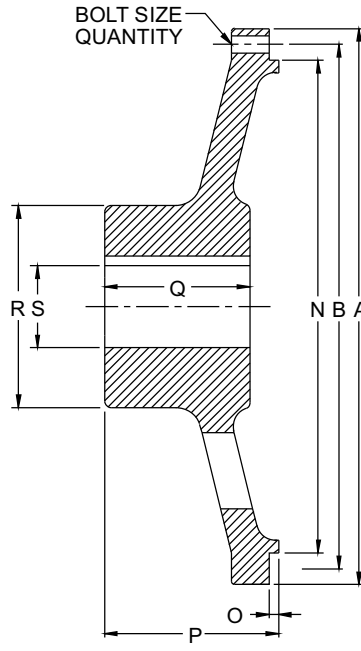
SIZE	A	B	BOLT SIZE	QTY	C		D	E	F	G	H	I	J	K
					+0.003/-0.000	(+0.076/-0.000)								
108	10 3/8 (263.53)	9.625 (244.48)	1/2-13	6	8.872 (225.35)	8 (203.21)	2 3/4 (69.85)	1 61/64 (49.53)	6 5/8 (168.28)	9 5/8 (244.48)	3 7/8 (98.43)	1 3/8 (34.93)	9/32 (7.14)	
208	10 3/8 (263.53)	9.625 (244.48)	1/2-13	6	8.872 (225.35)	8 (203.21)	4 1/8 (104.78)	1 61/64 (49.53)	6 5/8 (168.28)	9 5/8 (244.48)	5 1/4 (133.35)	2 3/4 (69.85)	9/32 (7.14)	
308	10 3/8 (263.53)	9.625 (244.48)	1/2-13	6	8.872 (225.35)	8 (203.21)	5 1/2 (139.70)	1 61/64 (49.53)	6 5/8 (168.28)	9 5/8 (244.48)	6 5/8 (168.28)	4 1/8 (104.78)	9/32 (7.14)	
111	14 3/8 (365.13)	13 3/8 (339.73)	5/8-11	8	12.375 (314.33)	11 (279.40)	3 (76.20)	3 1/64 (76.60)	8 1/2 (215.90)	11 15/16 (303.21)	4 1/8 (104.78)	1 1/2 (38.10)	7/16 (11.11)	
211	14 3/8 (365.13)	13 3/8 (339.73)	5/8-11	8	12.375 (314.33)	11 (279.40)	4 1/4 (107.95)	3 1/64 (76.60)	8 1/2 (215.90)	11 15/16 (303.21)	5 3/8 (136.53)	2 7/8 (73.03)	7/16 (11.11)	
311	14 3/8 (365.13)	13 3/8 (339.73)	5/8-11	8	12.375 (314.33)	11 (279.40)	5 9/16 (141.29)	3 1/64 (76.60)	8 1/2 (215.90)	11 15/16 (303.21)	6 11/16 (169.86)	4 3/16 (106.36)	7/16 (11.11)	
114	17 1/2 (444.50)	16 1/4 (412.75)	5/8-11	6	15.125 (384.18)	14 (355.60)	4 5/16 (109.54)	4 1/2 (114.30)	10 3/4 (273.05)	14 3/8 (365.13)	5 1/8 (130.18)	1 7/8 (47.63)	11/32 (8.73)	
214	17 1/2 (444.50)	16 1/4 (412.75)	5/8-11	6	15.125 (384.18)	14 (355.60)	5 3/4 (146.05)	4 1/2 (114.30)	10 3/4 (273.05)	14 3/8 (365.13)	6 9/16 (166.69)	3 1/4 (82.55)	11/32 (8.73)	
314	17 1/2 (444.50)	16 1/4 (412.75)	5/8-11	6	15.125 (384.18)	14 (355.60)	7 3/16 (182.56)	4 1/2 (114.30)	10 3/4 (273.05)	14 3/8 (365.13)	8 (203.20)	4 3/4 (120.65)	11/32 (8.73)	
114H	17 1/2 (444.50)	16 1/4 (412.75)	5/8-11	6	15.125 (384.18)	14 (355.60)	4 5/16 (109.54)	4 1/2 (114.30)	12 1/2 (317.50)	16 5/16 (414.34)	5 1/8 (130.18)	1 7/8 (47.63)	-	
214H	17 1/2 (444.50)	16 1/4 (412.75)	5/8-11	6	15.125 (384.18)	14 (355.60)	5 3/4 (146.05)	4 1/2 (114.30)	12 1/2 (317.50)	16 5/16 (414.34)	6 5/8 (168.28)	3 1/4 (82.55)	-	
314H	17 1/2 (444.50)	16 1/4 (412.75)	5/8-11	6	15.125 (384.18)	14 (355.60)	7 3/16 (182.56)	4 1/2 (114.30)	12 1/2 (317.50)	16 5/16 (414.34)	8 (203.20)	4 3/4 (120.65)	-	
116	20 (508.00)	18 3/4 (476.25)	5/8-11	6	17.500 (444.50)	16 (406.40)	4 5/16 (109.54)	4 7/8 (123.83)	12 1/2 (317.50)	16 19/64 (413.94)	5 3/16 (131.76)	1 7/8 (47.63)	3/4 (19.05)	
216	20 (508.00)	18 3/4 (476.25)	5/8-11	6	17.500 (444.50)	16 (406.40)	5 3/4 (146.05)	4 7/8 (123.83)	12 1/2 (317.50)	16 19/64 (413.94)	6 9/16 (166.69)	3 1/4 (82.55)	3/4 (19.05)	
316	20 (508.00)	18 3/4 (476.25)	5/8-11	6	17.500 (444.50)	16 (406.40)	7 1/4 (184.15)	4 7/8 (123.83)	12 1/2 (317.50)	16 19/64 (413.94)	8 (203.20)	4 3/4 (120.65)	3/4 (19.05)	
118	22 (558.80)	20 3/4 (527.05)	5/8-11	6	19.500 (495.30)	18 (457.20)	4 3/4 (120.65)	5 1/4 (133.35)	14 3/16 (360.36)	19 3/8 (492.13)	5 11/16 (144.46)	1 15/16 (49.21)	3/8 (9.53)	
218	22 (558.80)	20 3/4 (527.05)	5/8-11	6	19.500 (495.30)	18 (457.20)	5 1/4 (133.35)	5 1/4 (133.35)	14 3/16 (360.36)	19 3/8 (492.13)	7 1/4 (184.15)	3 1/2 (88.90)	3/8 (9.53)	
318	22 (558.80)	20 3/4 (527.05)	5/8-11	6	19.500 (495.30)	18 (457.20)	7 3/4 (196.85)	5 1/4 (133.35)	14 3/16 (360.36)	19 3/8 (492.13)	8 7/8 (225.43)	5 1/8 (130.18)	3/8 (9.53)	
118H	22 (558.80)	20 3/4 (527.05)	5/8-11	6	19.500 (495.30)	18 (457.20)	4 3/4 (120.65)	5 1/4 (133.35)	16 (406.40)	21 5/16 (541.34)	5 11/16 (144.46)	1 15/16 (49.21)	1 (25.40)	
218H	22 (558.80)	20 3/4 (527.05)	5/8-11	6	19.500 (495.30)	18 (457.20)	6 1/4 (158.75)	5 1/4 (133.35)	16 (406.40)	21 5/16 (541.34)	7 1/4 (184.15)	3 1/2 (88.90)	1 (25.40)	
318H	22 (558.80)	20 3/4 (527.05)	5/8-11	6	19.500 (495.30)	18 (457.20)	7 3/4 (196.85)	5 1/4 (133.35)	16 (406.40)	21 5/16 (541.34)	8 3/4 (222.25)	5 1/8 (130.18)	1 (25.40)	
121	25 (635.00)	23 3/4 (603.25)	5/8-11	6	22.500 (571.50)	21 (533.40)	5 7/8 (149.23)	7 (177.80)	16 (406.40)	21 5/16 (541.34)	6 9/16 (166.69)	2 1/2 (63.50)	1 (25.40)	
221	25 (635.00)	23 3/4 (603.25)	5/8-11	6	22.500 (571.50)	21 (533.40)	7 1/4 (184.15)	7 (177.80)	16 (406.40)	21 5/16 (541.34)	8 3/8 (212.73)	4 3/8 (111.13)	1 (25.40)	
321	25 (635.00)	23 3/4 (603.25)	5/8-11	6	22.500 (571.50)	21 (533.40)	8 5/8 (219.08)	7 (177.80)	16 (406.40)	21 5/16 (541.34)	10 1/8 (257.18)	6 1/4 (158.75)	1 (25.40)	
124H	28 (711.20)	26 3/4 (679.45)	5/8-11	6	25.500 (647.70)	24 (609.60)	5 7/8 (149.23)	7 (177.80)	21 (533.40)	27 (685.80)	6 3/4 (171.45)	2 13/16 (71.44)	1 (25.40)	
224H	28 (711.20)	26 3/4 (679.45)	5/8-11	6	25.500 (647.70)	24 (609.60)	7 1/4 (184.15)	7 (177.80)	21 (533.40)	27 (685.80)	8 1/2 (215.90)	4 1/2 (114.30)	1 (25.40)	
324H	28 (711.20)	26 3/4 (679.45)	5/8-11	6	25.500 (647.70)	24 (609.60)	9 3/8 (238.13)	7 (177.80)	21 (533.40)	27 (685.80)	10 1/2 (266.70)	6 1/4 (158.75)	1 (25.40)	
124SHD	28 (711.20)	26 3/4 (679.45)	5/8-11	6	25.500 (647.70)	24 (609.60)	5 7/8 (149.23)	7 (177.80)	21 (533.40)	27 (685.80)	6 7/8 (174.63)	2 13/16 (71.44)	1 (25.40)	
224SHD	28 (711.20)	26 3/4 (679.45)	5/8-11	6	25.500 (647.70)	24 (609.60)	7 1/4 (184.15)	7 (177.80)	21 (533.40)	27 (685.80)	8 1/2 (215.90)	4 1/2 (114.30)	1 (25.40)	
324SHD	28 (711.20)	26 3/4 (679.45)	5/8-11	6	25.500 (647.70)	24 (609.60)	9 3/8 (238.13)	7 (177.80)	21 (533.40)	27 (685.80)	10 1/2 (266.70)	6 1/4 (158.75)	1 (25.40)	
227	31 (787.40)	29 3/4 (755.65)	5/8-11	12	28.500 (723.90)	27 (685.80)	7 (177.80)	9 (228.60)	21 (533.40)	27 (685.80)	8 3/4 (222.25)	4 1/2 (114.30)	1 (25.40)	
327	31 (787.40)	29 3/4 (755.65)	5/8-11	12	28.500 (723.90)	27 (685.80)	9 (228.60)	9 (228.60)	21 (533.40)	27 (685.80)	10 3/4 (273.05)	6 1/2 (165.10)	1 (25.40)	
230H	34 (863.60)	32 3/4 (831.85)	5/8-11	12	31.500 (800.10)	30 (762.00)	8 1/2 (215.90)	9 (228.60)	24 3/4 (628.65)	32 3/8 (822.33)	10 3/16 (258.76)	5 5/8 (142.88)	1/4 (6.35)	
330H	34 (863.60)	32 3/4 (831.85)	5/8-11	12	31.500 (800.10)	30 (762.00)	10 7/8 (276.23)	9 (228.60)	24 3/4 (628.65)	32 3/8 (822.33)	12 3/4 (323.85)	8 1/8 (206.38)	1/4 (6.35)	
236	41 (1041.40)	39 3/4 (1009.65)	5/8-11	16	38.500 (977.90)	36 (914.40)	9 3/4 (247.65)	13 1/2 (342.90)	30 1/2 (774.70)	38 1/4 (971.55)	11 7/8 (301.63)	6 1/4 (158.75)	1/4 (6.35)	
336	41 (1041.40)	39 3/4 (1009.65)	5/8-11	16	38.500 (977.90)	36 (914.40)	12 7/8 (327.03)	13 1/2 (342.90)	30 1/2 (774.70)	38 1/4 (971.55)	14 3/4 (374.65)	9 1/8 (231.78)	1/4 (6.35)	
242	49 1/4 (1250.95)	47 1/4 (1200.15)	1-8	12	45.000 (1143.00)	42 (1066.80)	10 1/2 (266.70)	21 1/16 (534.99)	35 (889.00)	44 1/8 (1120.78)	11 3/8 (288.93)	6 1/2 (165.10)	1 1/4 (31.75)	
342	49 1/4 (1250.95)	47 1/4 (1200.15)	1-8	12	45.000 (1143.00)	42 (1066.80)	11 7/8 (301.63)	21 1/16 (534.99)	35 (889.00)	44 1/8 (1120.78)	14 1/8 (358.78)	9 5/8 (244.48)	1 1/4 (31.75)	
248	56 (1422.41)	54 (1371.61)	1-8	12	52.000 (1320.81)	48 (1219.20)	10 7/8 (276.23)	21 (533.40)	40 (1016.00)	52 3/8 (1330.33)	13 (330.20)	7 1/2 (190.50)	3/4 (19.05)	
348	56 (1422.41)	54 (1371.61)	1-8	12	52.000 (1320.81)	48 (1219.20)	13 5/8 (346.08)	21 (533.40)	40 (1016.00)	52 3/8 (1330.33)	15 3/4 (400.05)	9 7/8 (250.83)	3/4 (19.05)	
260	66 3/4 (1695.46)	64 3/4 (1644.66)	1-8	24	62.750 (1593.86)	60 (1524.01)	16 1/4 (412.75)	22 5/8 (574.68)	46 1/2 (1181.10)	61 1/2 (1562.11)	16 1/4 (412.75)	9 (228.60)	1/4 (6.35)	
360	66 3/4 (1695.46)	64 3/4 (1644.66)	1-8	24	62.750 (1593.86)	60 (1524.01)	20 (508.00)	22 5/8 (574.68)	46 1/2 (1181.10)	61 1/2 (1562.11)	20 (508.00)	13 (330.20)	1/4 (6.35)	
460	66 3/4 (1695.46)	64 3/4 (1644.66)	1-8	24	62.750 (1593.86)	60 (1524.01)	23 1/2 (596.90)	22 5/8 (574.68)	46 1/2 (1181.10)	61 1/2 (1562.11)	23 1/2 (596.90)	16 1/2 (419.10)	1/4 (6.35)	

Certified print available on request. See page 8 for accessories and typical mounting arrangement.

Quick Change Driving Adapter



Standard Driving Adapter



L	M QTY	N		O	P	Q	R	S		T	U	W	V	SIZE
		+ .000/- .003 (+ .000/- .076)						MIN*	MAX*					
2 1/4 (57.15)	2	8.872 (225.35)		1/8 (3.18)	3 1/8 (79.38)	3 (76.20)	3 3/4 (95.25)	15/16 (23.81)	2 5/8 (66.68)	-	-	-	-	108
2 1/4 (57.15)	2	8.872 (225.35)		1/8 (3.18)	3 1/8 (79.38)	3 (76.20)	3 3/4 (95.25)	15/16 (23.81)	2 5/8 (66.68)	-	-	-	-	208
2 1/4 (57.15)	2	8.872 (225.35)		1/8 (3.18)	3 1/8 (79.38)	3 (76.20)	3 3/4 (95.25)	15/16 (23.81)	2 5/8 (66.68)	-	-	-	-	308
2 1/2 (63.50)	2	12.374 (314.30)		1/8 (3.18)	3 5/8 (92.08)	3 1/4 (82.55)	6 1/4 (158.75)	1 3/8 (34.93)	4 7/16 (111.13)	-	-	-	-	111
2 1/2 (63.50)	2	12.374 (314.30)		1/8 (3.18)	3 5/8 (92.08)	3 1/4 (82.55)	6 1/4 (158.75)	1 3/8 (34.93)	4 7/16 (111.13)	-	-	-	-	211
2 1/2 (63.50)	2	12.374 (314.30)		1/8 (3.18)	3 5/8 (92.08)	3 1/4 (82.55)	6 1/4 (158.75)	1 3/8 (34.93)	4 7/16 (111.13)	-	-	-	-	311
2 1/4 (57.15)	2	15.124 (384.15)		1/4 (6.35)	5 3/8 (136.53)	4 3/4 (120.65)	7 (177.80)	1 5/8 (41.28)	4 7/8 (123.83)	5 1/2 (139.70)	3 3/8 (85.73)	1/8 (3.18)	3 1/4 (82.55)	114
2 1/4 (57.15)	2	15.124 (384.15)		1/4 (6.35)	5 3/8 (136.53)	4 3/4 (120.65)	7 (177.80)	1 5/8 (41.28)	4 7/8 (123.83)	5 1/2 (139.70)	3 3/8 (85.73)	1/8 (3.18)	3 1/4 (82.55)	214
2 1/4 (57.15)	2	15.124 (384.15)		1/4 (6.35)	5 3/8 (136.53)	4 3/4 (120.65)	7 (177.80)	1 5/8 (41.28)	4 7/8 (123.83)	5 1/2 (139.70)	3 3/8 (85.73)	1/8 (3.18)	3 1/4 (82.55)	314
2 1/4 (57.15)	2	15.124 (384.15)		1/4 (6.35)	5 3/8 (136.53)	4 3/4 (120.65)	7 (177.80)	1 5/8 (41.28)	4 7/8 (123.83)	5 1/2 (139.70)	3 3/8 (85.73)	1/8 (3.18)	3 1/4 (82.55)	114H
2 1/4 (57.15)	2	15.124 (384.15)		1/4 (6.35)	5 3/8 (136.53)	4 3/4 (120.65)	7 (177.80)	1 5/8 (41.28)	4 7/8 (123.83)	5 1/2 (139.70)	3 3/8 (85.73)	1/8 (3.18)	3 1/4 (82.55)	214H
2 1/4 (57.15)	2	15.124 (384.15)		1/4 (6.35)	5 3/8 (136.53)	4 3/4 (120.65)	7 (177.80)	1 5/8 (41.28)	4 7/8 (123.83)	5 1/2 (139.70)	3 3/8 (85.73)	1/8 (3.18)	3 1/4 (82.55)	314H
2 1/4 (57.15)	2	17.499 (444.48)		1/4 (6.35)	6 1/8 (155.58)	5 1/2 (139.70)	7 (177.80)	1 7/8 (47.63)	4 7/8 (123.83)	7 9/16 (192.09)	3 11/16 (93.66)	1/8 (3.18)	5 1/2 (139.70)	116
2 1/4 (57.15)	2	17.499 (444.48)		1/4 (6.35)	6 1/8 (155.58)	5 1/2 (139.70)	7 (177.80)	1 7/8 (47.63)	4 7/8 (123.83)	7 9/16 (192.09)	3 11/16 (93.66)	1/8 (3.18)	5 1/2 (139.70)	216
2 1/4 (57.15)	2	17.499 (444.48)		1/4 (6.35)	6 1/8 (155.58)	5 1/2 (139.70)	7 (177.80)	1 7/8 (47.63)	4 7/8 (123.83)	7 9/16 (192.09)	3 11/16 (93.66)	1/8 (3.18)	5 1/2 (139.70)	316
2 7/16 (61.91)	3	19.499 (495.28)		3/8 (9.53)	6 7/8 (174.63)	5 3/4 (146.05)	8 (203.20)	2 1/4 (57.15)	5 5/8 (142.88)	8 (203.20)	4 1/2 (114.30)	1/4 (6.35)	6 (152.40)	118
2 7/16 (61.91)	3	19.499 (495.28)		3/8 (9.53)	6 7/8 (174.63)	5 3/4 (146.05)	8 (203.20)	2 1/4 (57.15)	5 5/8 (142.88)	8 (203.20)	4 1/2 (114.30)	1/4 (6.35)	6 (152.40)	218
2 7/16 (61.91)	3	19.499 (495.28)		3/8 (9.53)	6 7/8 (174.63)	5 3/4 (146.05)	8 (203.20)	2 1/4 (57.15)	5 5/8 (142.88)	8 (203.20)	4 1/2 (114.30)	1/4 (6.35)	6 (152.40)	318
2 7/16 (61.91)	3	19.499 (495.28)		3/8 (9.53)	6 7/8 (174.63)	5 3/4 (146.05)	8 (203.20)	2 1/4 (57.15)	5 5/8 (142.88)	8 (203.20)	4 1/2 (114.30)	1/4 (6.35)	6 (152.40)	118H
2 7/16 (61.91)	3	19.499 (495.28)		3/8 (9.53)	6 7/8 (174.63)	5 3/4 (146.05)	8 (203.20)	2 1/4 (57.15)	5 5/8 (142.88)	8 (203.20)	4 1/2 (114.30)	1/4 (6.35)	6 (152.40)	218H
2 7/16 (61.91)	3	19.499 (495.28)		3/8 (9.53)	6 7/8 (174.63)	5 3/4 (146.05)	8 (203.20)	2 1/4 (57.15)	5 5/8 (142.88)	8 (203.20)	4 1/2 (114.30)	1/4 (6.35)	6 (152.40)	318H
2 3/8 (60.33)	3	22.499 (571.48)		1/4 (6.35)	6 3/4 (171.45)	6 (152.40)	9 1/2 (241.30)	2 1/2 (63.50)	6 5/8 (168.28)	10 1/2 (266.70)	6 1/2 (165.10)	1/4 (6.35)	6 (152.40)	121
2 3/8 (60.33)	3	22.499 (571.48)		1/4 (6.35)	6 3/4 (171.45)	6 (152.40)	9 1/2 (241.30)	2 1/2 (63.50)	6 5/8 (168.28)	10 1/2 (266.70)	6 1/2 (165.10)	1/4 (6.35)	6 (152.40)	221
2 3/8 (60.33)	3	22.499 (571.48)		1/4 (6.35)	6 3/4 (171.45)	6 (152.40)	9 1/2 (241.30)	2 1/2 (63.50)	6 5/8 (168.28)	10 1/2 (266.70)	6 1/2 (165.10)	1/4 (6.35)	6 (152.40)	321
2 3/4 (69.85)	3	25.498 (647.65)		-	-	-	10 (254.00)	3 (76.20)	7 (177.80)	11 1/8 (282.58)	5 5/8 (142.88)	1/8 (3.18)	7 5/16 (185.74)	124H
2 3/4 (69.85)	3	25.498 (647.65)		-	-	-	10 (254.00)	3 (76.20)	7 (177.80)	11 1/8 (282.58)	5 5/8 (142.88)	1/8 (3.18)	7 5/16 (185.74)	224H
2 3/4 (69.85)	3	25.498 (647.65)		-	-	-	10 (254.00)	3 (76.20)	7 (177.80)	11 1/8 (282.58)	5 5/8 (142.88)	1/8 (3.18)	7 5/16 (185.74)	324H
2 3/4 (69.85)	2	25.498 (647.65)		-	-	-	10 (254.00)	3 (76.20)	7 (177.80)	11 1/8 (282.58)	5 5/8 (142.88)	1/8 (3.18)	7 5/16 (185.74)	124SHD
2 3/4 (69.85)	2	25.498 (647.65)		-	-	-	10 (254.00)	3 (76.20)	7 (177.80)	11 1/8 (282.58)	5 5/8 (142.88)	1/8 (3.18)	7 5/16 (185.74)	224SHD
2 3/4 (69.85)	2	25.498 (647.65)		-	-	-	10 (254.00)	3 (76.20)	7 (177.80)	11 1/8 (282.58)	5 5/8 (142.88)	1/8 (3.18)	7 5/16 (185.74)	324SHD
2 3/8 (60.33)	3	28.498 (723.85)		-	-	-	11 1/2 (292.10)	5 (127.00)	8 (203.20)	7 15/16 (201.61)	2 3/8 (60.33)	1/8 (3.18)	7 5/16 (185.74)	227
2 3/8 (60.33)	3	28.498 (723.85)		-	-	-	11 1/2 (292.10)	5 (127.00)	8 (203.20)	7 15/16 (201.61)	2 3/8 (60.33)	1/8 (3.18)	7 5/16 (185.74)	327
2 7/8 (73.03)	4	31.498 (800.05)		-	-	-	14 (355.60)	3 1/2 (88.90)	9 3/4 (247.65)	12 1/2 (317.50)	6 (152.40)	1/4 (6.35)	8 3/4 (222.25)	230H
2 7/8 (73.03)	4	31.498 (800.05)		-	-	-	14 (355.60)	3 1/2 (88.90)	9 3/4 (247.65)	12 1/2 (317.50)	6 (152.40)	1/4 (6.35)	8 3/4 (222.25)	330H
2 7/8 (73.03)	4	38.498 (977.85)		-	-	-	14 (355.60)	6 (152.40)	9 3/4 (247.65)	12 1/4 (311.15)	4 3/8 (111.13)	1/4 (6.35)	10 (254.00)	236
2 7/8 (73.03)	4	38.498 (977.85)		-	-	-	14 (355.60)	6 (152.40)	9 3/4 (247.65)	12 1/4 (311.15)	4 3/8 (111.13)	1/4 (6.35)	10 (254.00)	336
3 1/2 (88.90)	4	44.998 (1142.95)		-	-	-	18 (457.20)	7 (177.80)	12 9/16 (319.09)	13 7/16 (341.31)	5 15/16 (150.81)	1/4 (6.35)	10 (254.00)	242
3 1/2 (88.90)	4	44.998 (1142.95)		-	-	-	18 (457.20)	7 (177.80)	12 9/16 (319.09)	13 7/16 (341.31)	5 15/16 (150.81)	1/4 (6.35)	10 (254.00)	342
3 1/2 (88.90)	4	51.998 (1320.75)		-	-	-	20 (508.00)	8 (203.20)	14 (355.60)	16 3/4 (425.45)	6 5/8 (168.28)	1/2 (12.70)	13 5/8 (346.08)	248
3 1/2 (88.90)	4	51.998 (1320.75)		-	-	-	20 (508.00)	8 (203.20)	14 (355.60)	16 3/4 (425.45)	6 5/8 (168.28)	1/2 (12.70)	13 5/8 (346.08)	348
2 (50.80)	6	62.748 (1593.81)		-	-	-	24 (609.60)	10 (254.00)	16 3/4 (425.45)	24 1/8 (612.78)	11 7/8 (301.63)	3/8 (9.53)	16 1/4 (412.75)	260
2 (50.80)	6	62.748 (1593.81)		-	-	-	24 (609.60)	10 (254.00)	16 3/4 (425.45)	24 1/8 (612.78)	11 7/8 (301.63)	3/8 (9.53)	16 1/4 (412.75)	360
2 (50.80)	6	62.748 (1593.81)		-	-	-	24 (609.60)	10 (254.00)	16 3/4 (425.45)	24 1/8 (612.78)	11 7/8 (301.63)	3/8 (9.53)	16 1/4 (412.75)	460

*For clutch min/max bore see Specification Table on page 1.