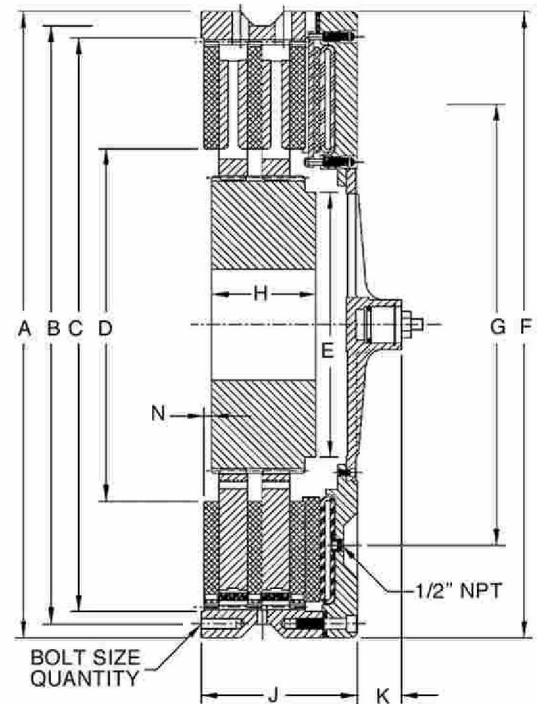
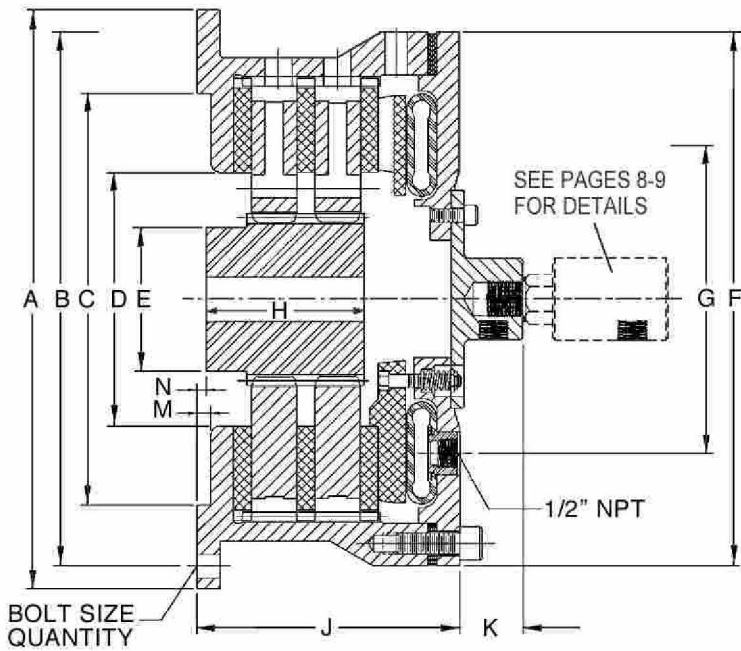


Low Inertia Clutche and Brake

DIMENSIONS inche (mm)

SIZE	A +.000/- .003 (+.000/- .076)	B	C +.003/- .000 (+.076/- .000)	D	E	F	G	H	J	**K u e for clutch only	bolt ize	qty	M	N
104	7.375 (187.33)	6.875 (174.63)	4.375 (111.13)	2 7/8 (73.03)	NA	6 3/8 (161.93)	NA	1 (25.40)	2 9/16 (65.09)	NA	1/4	6	1/8 (3.18)	1/16 (1.59)
204	7.375 (187.33)	6.875 (174.63)	4.375 (111.13)	2 7/8 (73.03)	NA	6 3/8 (161.93)	NA	1 7/8 (47.63)	3 9/16 (90.49)	NA	1/4	6	1/8 (3.18)	0
106	8.753 (222.33)	8.000 (203.20)	7.377 (187.38)	4 3/16 (106.36)	2 11/16 (68.26)	8 13/16 (223.84)	4 3/4 (120.65)	2 (50.80)	3 3/4 (95.25)	1 7/16 (36.51)	5/16	4	1/16 (1.59)	1/16 (1.59)
206	8.753 (222.33)	8.000 (203.20)	7.377 (187.38)	5 3/16 (106.36)	2 11/16 (68.26)	8 13/16 (223.84)	4 3/4 (120.65)	3 1/4 (82.55)	4 15/16 (125.41)	1 7/16 (36.51)	5/16	4	1/16 (1.59)	1/16 (1.59)
108	12.125 (307.98)	11.125 (282.58)	8.375 (212.73)	5 3/8 (136.53)	3 1/2 (88.90)	11 1/8 (282.58)	6 5/8 (168.28)	2 (50.80)	4 9/16 (115.89)	1 3/4 (44.45)	1/2	6	1/4 (6.35)	1/4 (6.35)
208	12.125 (307.98)	11.125 (282.58)	8.375 (212.73)	5 3/8 (136.53)	3 1/2 (88.90)	11 1/8 (282.58)	6 5/8 (168.28)	3 1/4 (82.55)	5 15/16 (150.81)	1 3/4 (44.45)	1/2	6	1/4 (6.35)	5/16 (7.94)
111	16.000 (406.40)	14.750 (374.65)	11.375 (288.93)	7 (177.80)	4 (101.60)	14 3/4 (374.65)	8 1/2 (215.90)	2 3/4 (69.85)	5 7/16 (138.11)	1 3/4 (44.45)	5/8	6	3/8 (9.53)	1/8 (3.18)
211	16.000 (406.40)	14.750 (374.65)	11.375 (288.93)	7 (177.80)	4 (101.60)	14 3/4 (374.65)	8 1/2 (215.90)	4 3/8 (111.13)	7 1/4 (184.15)	1 3/4 (44.45)	5/8	6	3/8 (9.53)	1/4 (6.35)
311	16.000 (406.40)	14.750 (374.65)	11.375 (288.93)	7 (177.80)	4 (101.60)	14 3/4 (374.65)	8 1/2 (215.90)	6 1/8 (155.58)	8 15/16 (227.01)	1 3/4 (44.45)	5/8	6	3/8 (9.53)	1/4 (6.35)
114	18.750 (476.25)	17.500 (444.50)	14.375 (365.13)	9 7/16 (239.71)	5 1/2 (139.70)	17 1/2 (444.50)	10 3/4 (273.05)	3 3/4 (95.25)	6 (152.40)	1 7/8 (47.63)	5/8	8	3/8 (9.53)	1/8 (3.18)
214	18.750 (476.25)	17.500 (444.50)	14.375 (365.13)	9 7/16 (239.71)	5 1/2 (139.70)	17 1/2 (444.50)	10 3/4 (273.05)	4 1/2 (114.30)	8 (203.20)	1 7/8 (47.63)	5/8	8	3/8 (9.53)	3/8 (9.53)
314	18.750 (476.25)	17.500 (444.50)	14.375 (365.13)	9 7/16 (239.71)	5 1/2 (139.70)	17 1/2 (444.50)	10 3/4 (273.05)	6 1/2 (165.10)	9 13/16 (249.24)	1 7/8 (47.63)	5/8	8	3/8 (9.53)	3/8 (9.53)
116	21.248 (539.70)	20.000 (508.00)	16.250 (412.75)	10 1/2 (266.70)	6 (152.40)	20 (508.00)	12 1/2 (317.50)	4 (101.60)	6 5/16 (160.34)	2 (50.80)	5/8	12	3/8 (9.53)	3/8 (9.53)
216	21.248 (539.70)	20.000 (508.00)	16.250 (412.75)	10 1/2 (266.70)	6 (152.40)	20 (508.00)	12 1/2 (317.50)	4 3/4 (120.65)	8 1/4 (209.55)	2 (50.80)	5/8	12	3/8 (9.53)	3/8 (9.53)
316	21.248 (539.70)	20.000 (508.00)	16.250 (412.75)	10 1/2 (266.70)	6 (152.40)	20 (508.00)	12 1/2 (317.50)	6 5/8 (168.28)	10 1/8 (257.18)	2 (50.80)	5/8	12	3/8 (9.53)	3/8 (9.53)
118	23.250 (590.55)	22.000 (558.80)	18.250 (463.55)	12 1/2 (317.50)	7 (177.80)	22 (558.80)	14 3/16 (360.36)	4 (101.60)	6 3/4 (171.45)	2 (50.80)	5/8	12	3/8 (9.53)	7/16 (11.11)
218	23.250 (590.55)	22.000 (558.80)	18.250 (463.55)	12 1/2 (317.50)	7 (177.80)	22 (558.80)	14 3/16 (360.36)	4 3/4 (120.65)	8 5/8 (219.08)	2 (50.80)	5/8	12	3/8 (9.53)	7/16 (11.11)
318	23.250 (590.55)	22.000 (558.80)	18.250 (463.55)	12 1/2 (317.50)	7 (177.80)	22 (558.80)	14 3/16 (360.36)	6 1/2 (165.10)	10 5/16 (261.94)	2 (50.80)	5/8	12	3/8 (9.53)	7/16 (11.11)
121	27.000 (685.80)	25.500 (647.70)	21.375 (542.93)	14 1/2 (368.30)	9 (228.60)	24 7/8 (631.83)	16 (406.40)	4 (101.60)	7 3/8 (187.33)	2 (50.80)	5/8	12	5/16 (7.94)	3/4 (19.05)
221	27.000 (685.80)	25.500 (647.70)	21.375 (542.93)	14 1/2 (368.30)	9 (228.60)	24 7/8 (631.83)	16 (406.40)	5 1/8 (130.18)	9 1/2 (241.30)	2 (50.80)	5/8	12	5/16 (7.94)	5/8 (15.88)
321	27.000 (685.80)	25.500 (647.70)	21.375 (542.93)	14 1/2 (368.30)	9 (228.60)	24 7/8 (631.83)	16 (406.40)	7 (177.80)	11 9/16 (293.69)	2 (50.80)	5/8	12	5/16 (7.94)	3/4 (19.05)
124H	30.000 (762.00)	28.750 (730.25)	24.375 (619.13)	14 1/2 (368.30)	9 (228.60)	29 (736.60)	21 (533.40)	4 (101.60)	7 5/8 (193.68)	2 1/8 (53.98)	5/8	12	1/4 (6.35)	5/8 (15.88)
224H	30.000 (762.00)	28.750 (730.25)	24.375 (619.13)	14 1/2 (368.30)	9 (228.60)	29 (736.60)	21 (533.40)	5 1/8 (130.18)	9 15/16 (252.41)	2 1/8 (53.98)	5/8	12	1/4 (6.35)	3/4 (19.05)
324H	30.000 (762.00)	28.750 (730.25)	24.375 (619.13)	14 1/2 (368.30)	9 (228.60)	29 (736.60)	21 (533.40)	7 1/2 (190.50)	12 3/16 (309.56)	2 1/8 (53.98)	5/8	12	1/4 (6.35)	3/4 (19.05)
227	32.750 (831.85)	31.500 (800.10)	27.375 (695.33)	16 1/4 (412.75)	9 (228.60)	31 (787.40)	21 (533.40)	6 7/8 (174.63)	10 3/8 (263.53)	16 15/32 (418.31)	5/8	16	1/4 (6.35)	3/4 (19.05)



SIZE 242-460

DIMENSIONS inche (mm)

SIZE	A +.000/- .003 (+.000/- .076)	B	C +.003/- .000 (+.076/- .000)	D	E	F	G	H	J	**K u e for clutch only	bolt ize	qty	M	N
327	32.750 (831.85)	31.500 (800.10)	27.375 (695.33)	16 1/4 (412.75)	9 (228.60)	31 (787.40)	21 (533.40)	7 15/16 (201.61)	12 3/4 (323.85)	18 27/32 (478.63)	5/8	16	1/4 (6.35)	3/4 (19.05)
230H	37.000 (939.80)	35.500 (901.70)	30.375 (771.53)	19 1/4 (488.95)	10 (254.00)	34 3/4 (882.65)	24 3/4 (628.62)	7 1/8 (180.98)	11 11/16 (296.86)	4 3/8 (111.13)	3/4	18	1/4 (6.35)	1 7/8 (47.63)
330H	37.000 (939.80)	35.500 (901.70)	30.375 (771.53)	19 1/4 (488.95)	10 (254.00)	34 3/4 (882.65)	24 3/4 (628.62)	11 7/8 (301.63)	15 5/16 (388.94)	4 3/8 (111.13)	3/4	18	1/4 (6.35)	5/8 (15.88)
236	43.500 (1104.90)	42.000 (1066.80)	36.375 (923.93)	23 5/8 (600.08)	14 (355.60)	41 (1041.40)	30 1/2 (774.70)	9 (228.60)	12 7/8 (327.03)	3 3/4 (95.25)	3/4	18	1/4 (6.35)	5/8 (15.88)
336	43.500 (1104.90)	42.000 (1066.80)	36.375 (923.93)	23 5/8 (600.08)	14 (355.60)	41 (1041.40)	30 1/2 (774.70)	11 3/8 (288.93)	17 1/16 (433.39)	3 3/4 (95.25)	3/4	18	1/4 (6.35)	5/8 (15.88)
242 *	49.000 (1244.60)	46.500 (1181.10)	45.000 (1143.00)	29 1/2 (749.30)	16 (406.40)	49 (1244.60)	35 (889.00)	7 1/2 (190.50)	11 7/8 (301.63)	4 1/2 (114.30)	1	24	1/4 (6.35)	1 1/2 (38.10)
342 *	49.000 (1244.60)	46.500 (1181.10)	45.000 (1143.00)	29 1/2 (749.30)	16 (406.40)	49 (1244.60)	35 (889.00)	12 3/8 (314.33)	14 3/4 (374.65)	4 1/2 (114.30)	1	24	1/4 (6.35)	1 1/2 (38.10)
248 *	56.750 (1441.45)	54.000 (1371.60)	52.000 (1320.80)	32 (812.80)	24 (609.60)	56 3/4 (1441.45)	40 (1016.00)	8 3/4 (222.25)	14 1/16 (357.19)	4 (101.60)	1	24	1/4 (6.35)	1 1/16 (17.46)
348 *	56.750 (1441.45)	54.000 (1371.60)	52.000 (1320.80)	32 (812.80)	24 (609.60)	56 3/4 (1441.45)	40 (1016.00)	11 5/8 (295.28)	16 15/16 (430.21)	4 (101.60)	1	24	1/4 (6.35)	1 1/16 (17.46)
260 *	70.500 (1790.70)	66.500 (1689.10)	62.750 (1593.85)	36 (914.40)	27 (685.80)	70 1/2 (1790.70)	46 1/2 (1181.10)	9 3/8 (238.13)	17 5/8 (447.68)	2 3/8 (60.33)	2	24	1/4 (6.35)	1/4 (6.35)
360 *	70.500 (1790.70)	66.500 (1689.10)	62.750 (1593.85)	36 (914.40)	27 (685.80)	70 1/2 (1790.70)	46 1/2 (1181.10)	14 1/8 (358.78)	22 5/8 (574.68)	2 3/8 (60.33)	2	24	1/4 (6.35)	1/4 (6.35)
460 *	70.500 (1790.70)	66.500 (1689.10)	62.750 (1593.85)	36 (914.40)	27 (685.80)	70 1/2 (1790.70)	46 1/2 (1181.10)	18 5/8 (473.08)	27 1/8 (688.98)	2 3/8 (60.33)	2	24	1/4 (6.35)	1/4 (6.35)

* Clutch or brake does not include backplate.
 Certified prints available on request.
 For units with metric mounting, see page 3.

See pages 8-9 for Air Accessories.

Low Inertia Clutche and Brake

SPECIFICATIONS

Size	Torque Rating @ 100 p i (lb-in)/7 bar (Nm)				Maximum Speed		WEIGHT and INERTIA				BORE RANGE	
	Static Torque		Dynamic Torque		Complete Clutch rpm	Hub & CP rpm	Total Weight	Total Clutch Inertia	Hub & CP Weight	Hub & CP Inertia	Minimum	Maximum
	lb-in	Nm	lb-in	Nm			lb (kg)	lbf ² (wr ²) (kgm ² (J))	lb (kg)	lbf ² (wr ²) (kgm ² (J))	inche (mm)	inche (mm)
104	2,340	260	1,750	200	4,660	7,850	11 (5)	0.54 (0.023)	2.5 (1.1)	0.03 (0.0013)	0.50 (12.7)	1.8 (46)
204	4,680	520	3,500	400	4,660	7,850	15 (7)	0.56 (0.024)	4.0 (1.8)	0.04 (0.0017)	0.50 (12.7)	1.8 (46)
106	4,970	570	3,730	425	3,900	5,280	29 (13)	2.3 (0.097)	6.6 (3.0)	0.23 (0.010)	0.88 (22.2)	1.9 (48)
206	9,940	1,140	7,460	850	3,990	5,280	36 (16)	3.2 (0.135)	12 (5.6)	0.49 (0.021)	0.88 (22.2)	1.9 (48)
108	7,300	835	5,500	630	2,830	4,290	63 (29)	8.2 (0.346)	13 (5.9)	0.62 (0.026)	0.94 (23.8)	2.5 (62)
208	14,600	1,670	11,000	1,260	2,830	4,290	72 (33)	9.3 (0.392)	24 (11)	1.2 (0.051)	1.13 (29)	2.5 (62)
111	16,600	1,905	12,450	1,425	2,140	3,120	141 (64)	28 (1.22)	28 (13)	2.4 (0.101)	1.25 (32)	2.8 (71)
211	33,200	3,810	24,900	2,850	2,140	3,120	164 (74)	34 (1.43)	52 (24)	4.7 (0.198)	1.25 (32)	2.8 (71)
311	49,800	5,715	37,350	5,275	2,140	3,120	191 (87)	41 (1.73)	77 (35)	7.0 (0.295)	1.25 (32)	2.8 (71)
114	28,900	3,315	21,700	2,490	1,830	2,450	178 (81)	56 (2.36)	52 (23)	6.0 (0.253)	1.88 (48)	3.3 (85)
214	57,800	6,630	43,400	4,980	1,830	2,450	229 (104)	70 (2.95)	84 (38)	11.5 (0.485)	1.88 (48)	3.9 (98)
314	86,700	9,945	65,100	7,470	1,830	2,450	279 (127)	84 (3.54)	126 (57)	16.9 (0.712)	1.88 (48)	3.9 (98)
116	39,750	4,560	29,800	3,420	1,610	2,140	253 (115)	103 (4.34)	65 (30)	10.7 (0.451)	2.13 (54)	4.2 (107)
216	79,500	9,120	59,600	6,840	1,610	2,140	327 (148)	127 (5.35)	109 (49)	19.8 (0.834)	2.13 (54)	4.2 (107)
316	119,250	13,680	89,400	10,260	1,610	2,140	401 (182)	150 (6.32)	157 (71)	28.8 (1.21)	2.13 (54)	4.2 (107)
118	66,400	7,620	49,800	5,715	1,470	1,900	316 (143)	165 (6.95)	93 (42)	19.1 (0.805)	2.25 (57)	4.9 (125)
218	132,800	15,240	99,600	11,430	1,470	1,900	382 (173)	189 (7.96)	154 (70)	37.2 (1.57)	2.25 (57)	4.9 (125)
318	199,200	22,860	149,400	17,145	1,470	1,900	462 (210)	219 (9.23)	221 (100)	55.2 (2.33)	2.75 (70)	4.9 (125)
121	95,400	10,950	71,500	8,205	1,270	1,630	456 (207)	303 (12.8)	128 (58)	34 (1.43)	2.75 (70)	6.3 (160)
221	190,800	21,900	143,000	16,410	1,270	1,630	571 (259)	356 (15.0)	212 (96)	68 (2.87)	2.75 (70)	6.3 (160)
321	286,200	32,850	214,500	24,615	1,270	1,630	641 (291)	412 (17.4)	318 (144)	105 (4.43)	2.75 (70)	6.3 (160)
124H	160,600	18,435	120,500	13,830	1,140	1,430	623 (283)	470 (19.8)	167 (76)	57 (2.40)	2.75 (70)	6.3 (160)
224H	321,200	36,870	241,000	27,660	1,140	1,430	816 (370)	620 (26.1)	290 (132)	118 (4.97)	2.75 (70)	6.3 (160)
324H	481,800	55,305	361,500	41,490	1,140	1,430	1,016 (461)	765 (32.2)	435 (197)	180 (7.59)	2.75 (70)	6.3 (160)
227	361,100	41,450	270,800	31,080	1,040	1,270	974 (442)	890 (37.5)	353 (160)	206 (8.68)	3.25 (83)	6.3 (160)
327	541,650	62,175	406,200	46,620	1,040	1,270	1,154 (523)	1,048 (44.2)	527 (239)	298 (12.6)	3.25 (83)	6.3 (160)
230H	689,200	79,110	517,000	59,340	920	1,140	1,371 (622)	1,579 (66.5)	562 (255)	375 (15.8)	3.50 (89)	7.0 (178)
330H	1,033,800	118,665	775,500	89,010	920	1,140	1,730 (785)	1,861 (78.4)	842 (382)	556 (23.4)	3.50 (89)	7.0 (178)
236	1,068,000	122,600	801,000	91,940	790	960	1,929 (875)	3,259 (137)	805 (365)	824 (34.7)	5.50 (140)	8.4 (213)
336	1,602,000	183,900	1,201,500	137,910	790	960	2,545 (1,154)	4,144 (175)	1,218 (553)	1,246 (52.5)	5.50 (140)	8.4 (213)
242	1,509,400	173,200	1,132,000	129,900	700	820	2,313 (1,049)	5,444 (229)	950 (431)	1,176 (49.6)	7.50 (191)	11.2 (285)
342	2,264,100	259,800	1,698,000	194,850	700	820	2,749 (1,247)	6,529 (275)	1,425 (646)	1,705 (71.8)	7.50 (191)	11.2 (285)
248	2,832,000	325,000	2,124,000	243,800	600	710	4,165 (1,889)	12,810 (540)	1,795 (814)	3,320 (140)	10.00 (254)	14.5 (368)
348	4,248,000	487,500	3,186,000	365,700	600	710	5,378 (2,439)	17,215 (725)	2,838 (1,287)	4,800 (202)	10.00 (254)	14.5 (368)
260	5,670,000	650,900	4,252,500	488,100	480	570	9,555 (4,334)	46,520 (1,960)	2,587 (1,174)	7,097 (299)	10.00 (254)	18.9 (480)
360	8,505,000	976,350	6,378,750	732,150	480	570	11,634 (5,277)	57,512 (2,424)	3,890 (1,765)	10,635 (448)	10.00 (254)	18.9 (480)
460	11,340,000	1,301,800	8,505,000	976,200	480	570	14,245 (6,462)	68,020 (2,866)	5,540 (2,513)	14,650 (617)	10.00 (254)	18.9 (480)

Consult WPT Engineering for application assistance and applicable safety/service factors.