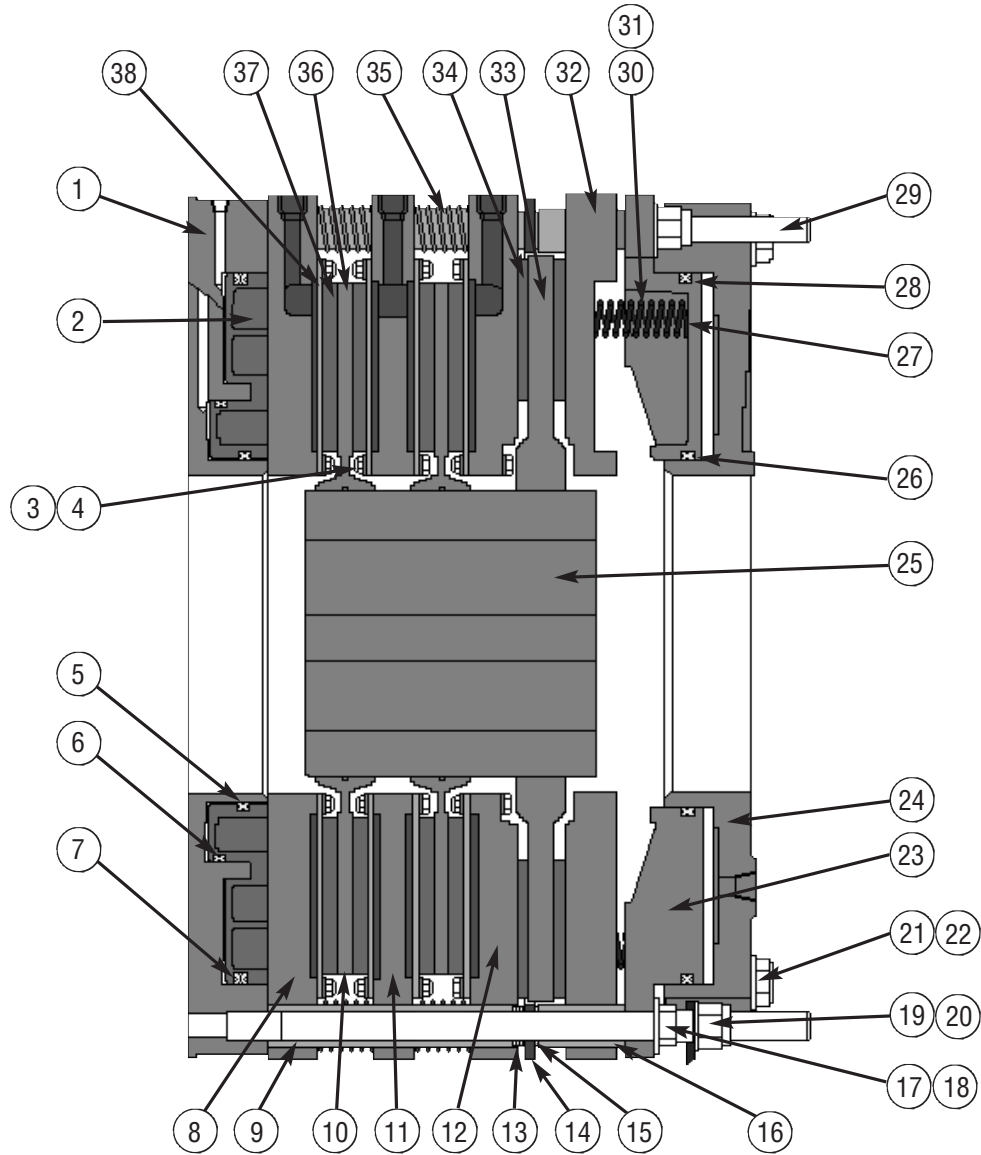


WCSB Component Part



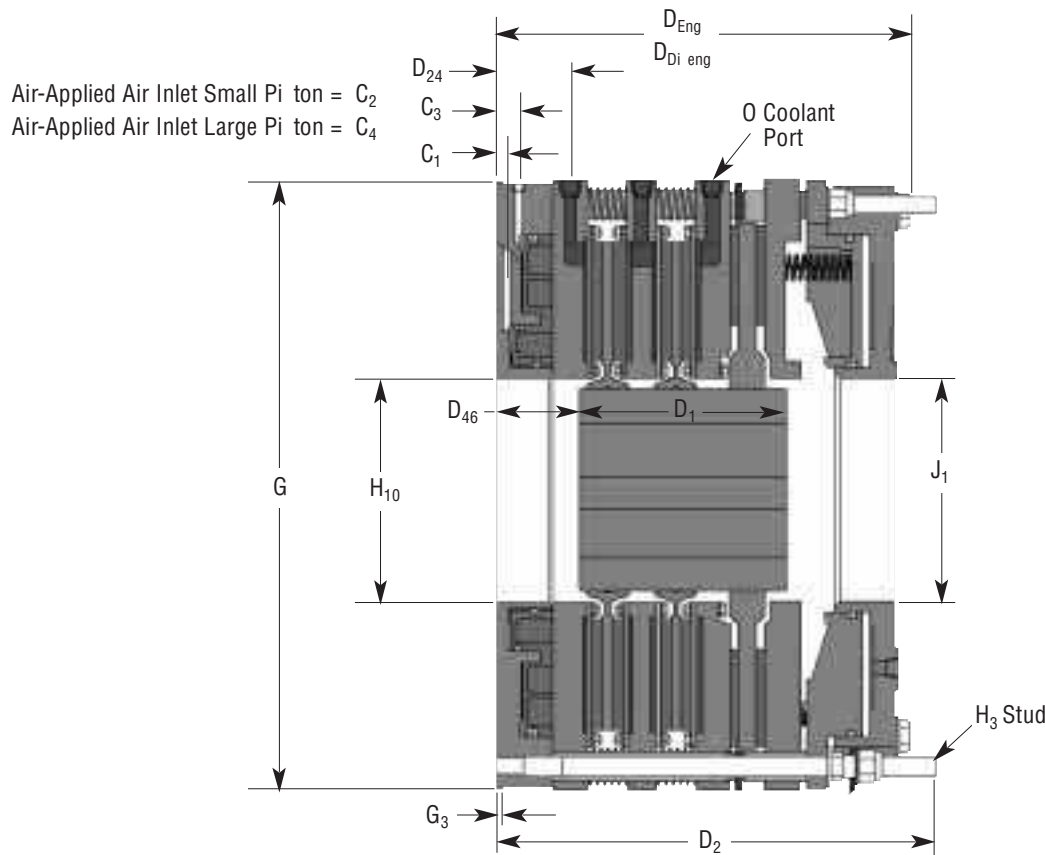
Item	Description
1	Mounting Flange/Cylinder
2	Air-Applied Piston
3	Hex Head Screw
4	Locknut
5	Air-Applied Inner Seal
6	Air-Applied Intermediate Seal
7	Air-Applied Outer Seal
8	Water-Cooled Pressure Plate
9	Clamp Tube
10	Water-Cooled Friction Disc Assembly
11	Reaction Plate
12	End Plate
13	Wear Spacer
14	Stop Plate
15	Wear Spacer
16	Clamp Tube
17	Sleeve Nut
18	Flat Washer
19	Self Locking Nut

Item	Description
20	Flat Washer
21	Hex Head Screw
22	Flat Washer
23	Spring Housing
24	Cylinder
25	Gear
26	Spring-Applied Inner Seal
27	Spring Retainer
28	Spring-Applied Outer Seal
29	Stud
30	Inner Spring
31	Outer Spring
32	Spring-Applied Pressure Plate
33	Air-Cooled Solid Disc
34	Air-Cooled Friction Disc
35	Release Spring
36	Water-Cooled Friction Disc Core
37	Water-Cooled Friction Disc
38	Wear Plate

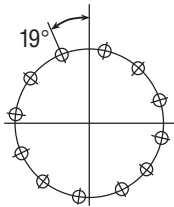
Note:

1 The above cross-section shows a unit with two water-cooled friction disc assembly. For unit with one water-cooled friction disc assembly, item 11 is not required.

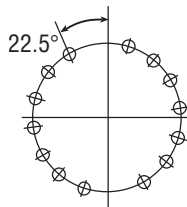
WCSB Element — Dimensional Data*



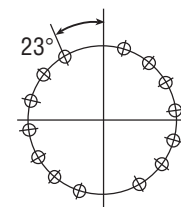
Mounting Bolt Circle ①



Pressure Plate Coolant Inlet Port
24WCSB
 12-0.656 (16,7) Dia. Hole Equally Spaced Hole on a 28.750" (730,3) BC



Pressure Plate Coolant Inlet Port
36WCSB
 14-1.062 (27,0) Dia. Hole Equally Spaced Hole on a 42.000" (1066,8) BC



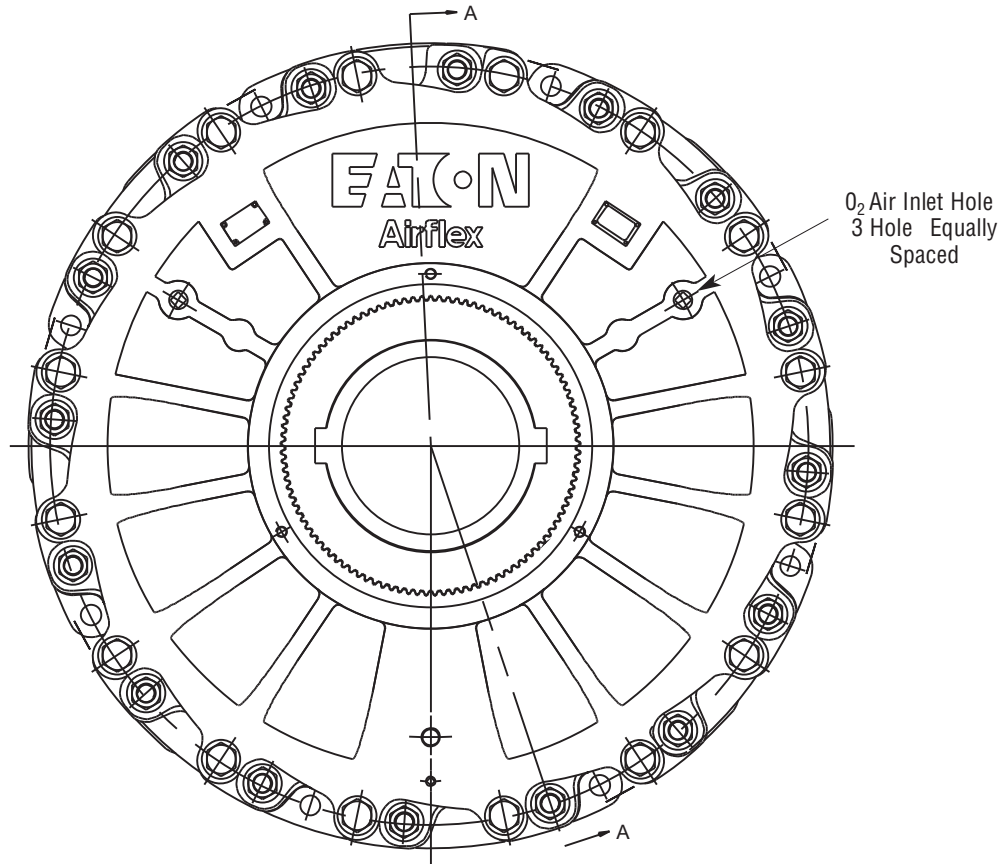
Pressure Plate Coolant Inlet Port
48WCSB
 14-1.438 (36,5) Dia. Hole Equally Spaced Hole on a 54.000" (1371,6) BC

* Data shown is subject to change. Please consult factory for current dimensional data.

English	Dimension in inches														
24WCSB	.87	1/4-18	1.28	1/2-14	4.00	3.63	29.998	.125	11.38	11.50	12	1 1/8 - 7	27.875	1/2-14 NPT	18.500
36WCSB	.99	3/8-18	1.50	3/4-14	5.31	6.00	44.498	.250	16.50	16.50	16	1 3/8 - 6	41.500	3/4-14 NPT	28.000
48WCSB	1.17	1/2-14	1.80	1-11 1/2	5.94	6.75	56.499	.250	23.00	23.00	16	1 3/8 - 6	53.688	1-11 1/2 NPT	41.500

Size	C ₁	C ₂	C ₃	C ₄	D ₂₄	⑥ D ₄₆	② G	G ₃	H ₁₀	J ₁	H ₃ ③		O ₂ ④		
											No.	Size Bolt Circle	Size	Bolt Circle	
											No.	Size Bolt Circle	Size	Bolt Circle	
24WCSB	22,1	1/4-18	32,5	1/2-14	101,6	92,2	761,9	3,2	289,1	292,1	12	1 1/8-7	708,0	1/2-14 NPT	469,9
36WCSB	25,1	3/8-18	38,1	3/4-14	134,9	152,4	1130,1	6,4	419,1	419,1	16	1 3/8-6	1054,1	3/4-14 NPT	711,2
48WCSB	29,7	1/2-14	45,7	1-11 1/2	150,9	171,5	1435,1	6,4	584,2	584,2	16	1 3/8-6	1363,7	1-11 1/2 NPT	1054,1
SI	Dimension in millimeter														

WCSB Element — Dimensional Data*



English	Dimension in inches						
224WCSB 1W/1A	8.63	17.44	18.59	18.77	4	3/4-14 NPT	6.125 8.250
324WCSB 2W/1A	13.19	21.94	22.45	22.72	8	3/4-14 NPT	7.000 8.250
424WCSB 3W/1A	16.94	28.19	26.50	26.86	12	3/4-14 NPT	7.750 8.000
236WCSB 1W/1A	10.00	22.81	24.69	25.01	4	1 1/4-11 1/2 NPT	8.875 11.500
336WCSB 2W/1A	14.00	28.81	29.54	29.87	8	1 1/4-11 1/2 NPT	10.250 11.250
436WCSB 3W/1A	19.50	36.31	34.40	34.81	12	1 1/4-11 1/2 NPT	11.250 11.375
248WCSB 1W/1A	11.25	27.46	30.55	30.86	4	1 1/4-11 1/2 NPT	11.375 16.250
348WCSB 2W/1A	16.75	34.21	36.05	36.51	8	1 1/4-11 1/2 NPT	13.000 16.250
448WCSB 3W/1A	22.50	41.46	41.54	42.16	12	1 1/4-11 1/2 NPT	14.375 16.250

Size	D ₁	D ₂	D _{Eng}	D _{Di eng}	Coolant Port		Bore Range	
					No.	Size	Min.	Max.
224WCSB 1W/1A	219,2	443,0	472,2	476,8	4	3/4-14 NPT	155,6	209,6
324WCSB 2W/1A	335,0	557,0	570,2	577,1	8	3/4-14 NPT	177,8	209,6
424WCSB 3W/1A	430,3	716,0	673,1	682,2	12	3/4-14 NPT	196,9	203,2
236WCSB 1W/1A	254,0	579,4	627,1	635,3	4	1 1/4-11 1/2 NPT	225,4	292,1
336WCSB 2W/1A	355,6	731,8	750,3	758,7	8	1 1/4-11 1/2 NPT	260,4	285,8
436WCSB 3W/1A	495,3	922,3	873,8	884,2	12	1 1/4-11 1/2 NPT	285,8	288,9
248WCSB 1W/1A	285,8	697,5	776,0	783,8	4	1 1/4-11 1/2 NPT	288,9	412,8
348WCSB 2W/1A	425,5	868,9	915,7	927,4	8	1 1/4-11 1/2 NPT	330,2	412,8
448WCSB 3W/1A	571,5	1053,1	1055,1	1070,9	12	1 1/4-11 1/2 NPT	365,1	412,8

SI	Dimension in millimeter						
----	-------------------------	--	--	--	--	--	--

Note:

- ❶ To insure proper cooling, inlet port must be located at the six o'clock position.
- ❷ Tolerance for the 24WCSB is +0.000/-0.003 (+0,000/-0,08). Tolerance for the 36WCSB and the 48WCSB is +0.000/-0.005 (+0,000/-0,13).
- ❸ American National Standard for Unified Screw Thread.
- ❹ American National Pipe Thread.
- ❺ Water-cooled pre-ure plate and end plate have single inlet and outlet cooling port. Reaction plate have dual inlet and outlet cooling port.
- ❻ Tolerance +/-0.030 (+/-0,76).

* Data shown is subject to change. Please consult factory for current dimensional data.

WCSB Element — Technical Data

Engli h			lb-in. @ 80 p i			lb-in	lb-in. @ 120 p i		HP
224WCSB 1W/1A	146452C	410970	43470	117530	161000	351000	378000	392000	270
324WCSB 2W/1A	146453C	412433	86940	235060	322000	523000	505000	620000	540
424WCSB 3W/1A	146454C	413195	130680	353320	484000	676000	617000	844000	810
236WCSB 1W/1A	146436C	416821	111120	351880	463000	1086000	1330000	1218000	650
336WCSB 2W/1A	146477C	416842	222240	703760	926000	1558000	1747000	1872000	1300
436WCSB 3W/1A	146402C	416676	333360	1055640	1389000	1969000	2107000	2514000	1950
248WCSB 1W/1A	146478C	416795	245180	697820	943000	2526000	2518000	2907000	1300
348WCSB 2W/1A	146400C	416688	490360	1395640	1886000	3335000	3372000	4239000	2600
448WCSB 3W/1A	146479C	416797	735800	2094200	2830000	3976000	4052000	5548000	3900
Size	① Part Number	Gear Part Number	Small Pi ton	Large Pi ton	Both Pi ton	② Spring Applied Dynamic Torque	② Spring Applied Static Torque	⑤ Maximum Dynamic Torque	④ Thermal Rating
			Air-Applied Dynamic Torque ③						
			Small Pi ton	Large Pi ton	Both Pi ton				
224WCSB 1W/1A	146452C	410970	4908	13269	18177	39628	42676	44257	201,3
324WCSB 2W/1A	146453C	412433	9816	26538	36354	59047	57015	69998	402,7
424WCSB 3W/1A	146454C	413195	14754	39890	54644	76320	69659	95288	604,0
236WCSB 1W/1A	146436C	416821	12545	39727	52273	122609	150157	137512	484,7
336WCSB 2W/1A	146477C	416842	25091	79455	104545	175898	197236	211349	969,4
436WCSB 3W/1A	146402C	416676	37636	119182	156818	222300	237880	283831	1454,1
248WCSB 1W/1A	146478C	416795	27681	78784	106465	285185	284282	328200	969,4
348WCSB 2W/1A	146400C	416688	55362	157568	212929	376522	380699	478583	1938,8
448WCSB 3W/1A	146479C	416797	83072	236435	319507	448890	457471	626369	2908,2
SI	Nm @ 5,5 bar					Nm	Nm @ 10,3 bar		kW

Note :

- ① Basic part number only. Gear mu t be ordered eparately.
- ② Torque i ba ed on a pring et relea e pre ure of 120 p i and the maximum amount of apply pring . To decrea e relea e pre ure, pring can be removed. The maximum number of pring for each ize are a follow : 24WCSB – 48 (24 outer pring and 24 inner pring), 36WCSB – 128 (64 outer pring and 64 inner pring), 48WCSB – 112 pring .
- ③ Exact torque rating i dependent upon applied pre ure. Maximum allowable air-applied pre ure i 150 p i
- ④ Ba ed upon a 70 F (21 C) fre h water inlet temperature and a 50 F (28 C) temperature ri e between inlet and outlet. See cooling requirement .
- ⑤ Maximum torque re ult when 120 p i applied to the air-applied ide and the pring-applied ide i fully et imultaneou ly. If air pre ure i lo t, the torque will drop to the pring-applied tatic torque.

WCSB Element — Technical Data

English	PSI			GPM			in ³		rpm		in ³	
224WCSB 1W/1A	17	6	5	27	4.3E-03	1.2E-01	160	136	715	1200	73	159
324WCSB 2W/1A	18	7	6	54	1.1E-03	6.1E-02	320	272	715	1200	104	190
424WCSB 3W/1A	19	8	7	81	4.8E-04	4.1E-02	480	408	715	1200	135	221
236WCSB 1W/1A	18	6	5	65	1.2E-03	8.9E-02	600	308	475	790	220	424
336WCSB 2W/1A	19	7	6	130	2.8E-04	5.8E-02	1135	616	475	790	318	522
436WCSB 3W/1A	20	8	7	195	1.2E-04	3.9E-02	1670	924	475	790	416	620
248WCSB 1W/1A	17	6	5	130	1.1E-03	4.6E-02	700	546	360	600	467	821
348WCSB 2W/1A	18	7	6	260	2.3E-04	3.6E-02	1400	1091	360	600	679	1033
448WCSB 3W/1A	19	8	7	390	1.0E-04	2.4E-02	2100	1637	360	600	891	1245

Size	Small	Large	Both	Water Flow	C ₁	C ₂	Water Volume	WC Lining Wear Volume	Maximum Slip Speed	Maximum Freewheeling Speed	New	Worn ①
	Particulate Pressure				Pressure Drop Coefficient ②						Air-Applied Engaging Volume	
	Small	Large	Both		C ₁	C ₂					New	Worn ①
224WCSB 1W/1A	1,17	0,41	0,34	102,2	2,1E-05	2,2E-03	2,6	2,2	715	1200	1,2	2,6
324WCSB 2W/1A	1,24	0,48	0,41	204,4	5,2E-06	1,1E-03	5,3	4,5	715	1200	1,7	3,1
424WCSB 3W/1A	1,31	0,55	0,48	307,0	2,3E-06	7,4E-04	7,9	6,7	715	1200	2,2	3,6
236WCSB 1W/1A	1,24	0,41	0,34	246,1	5,7E-06	1,6E-03	9,8	5,0	475	790	3,6	6,9
336WCSB 2W/1A	1,31	0,48	0,41	492,1	1,3E-06	1,1E-03	18,6	10,1	475	790	5,2	8,6
436WCSB 3W/1A	1,38	0,55	0,48	738,2	5,9E-07	7,1E-04	27,4	15,1	475	790	6,8	10,2
248WCSB 1W/1A	1,17	0,41	0,34	492,1	5,2E-06	8,4E-04	11,5	8,9	360	600	7,7	13,5
348WCSB 2W/1A	1,24	0,48	0,41	984,2	1,1E-06	6,5E-04	22,9	17,9	360	600	11,1	16,9
448WCSB 3W/1A	1,31	0,55	0,48	1476,3	4,8E-07	4,4E-04	34,4	26,8	360	600	14,6	20,4

SI	bar			dm ³ /min			dm ³		rpm		dm ³	
----	-----	--	--	----------------------	--	--	-----------------	--	-----	--	-----------------	--

English	in ³	lb-ft ²	lb	in	
224WCSB 1W/1A	259	140	1260	363	8.71 7.90
324WCSB 2W/1A	259	216	1448	561	10.81 9.98
424WCSB 3W/1A	259	291	1641	745	12.96 11.89
236WCSB 1W/1A	612	919	4466	873	12.54 11.34
336WCSB 2W/1A	612	1284	5026	1227	14.92 13.76
436WCSB 3W/1A	612	1659	5954	1615	17.78 16.33
248WCSB 1W/1A	1115	3128	7869	1689	15.15 12.60
348WCSB 2W/1A	1115	4603	9189	2480	18.03 15.33
448WCSB 3W/1A	1115	6086	10521	3283	20.89 18.11

Size	Spring-Applied Release Volume	Wk ²		Weight		Center of Gravity ④	
		Disc & Gear		Housing	Disc & Gear	Housing	Disc & Gear
		J		Ma		Center of Gravity	
224WCSB 1W/1A	4,2	5,9		572	165	221,2	200,7
324WCSB 2W/1A	4,2	9,1		657	254	274,6	253,5
424WCSB 3W/1A	4,2	12,3		744	338	329,2	302,0
236WCSB 1W/1A	10,0	38,7		2026	396	318,5	288,0
336WCSB 2W/1A	10,0	54,1		2280	557	379,0	349,5
436WCSB 3W/1A	10,0	69,9		2701	733	451,6	414,8
248WCSB 1W/1A	18,3	131,8		3569	766	384,8	320,0
348WCSB 2W/1A	18,3	194,0		4168	1125	458,0	389,4
448WCSB 3W/1A	18,3	256,5		4772	1489	530,6	460,0

SI	dm ³	kg-m ²		kg		mm	
----	-----------------	-------------------	--	----	--	----	--

Note:

- ① Absolute volume of cylinder at contact with new and worn friction disc. Worn volume at a uniform wear rate of wear.
- ② Coefficients are based on the maximum pressure drop across the individual water cavity of the brake.
- ③ To insure proper cooling, the inlet port must be at the six o'clock position.
- ④ Located from the mounting flange surface.
- ⑤ Based upon a continuous slip velocity of 4500 fpm (22,9 mps).
- ⑥ Maximum freewheeling velocity is 7500 fpm (38,1 mps).

* Data shown is subject to change. Please consult factory for current dimensional data.